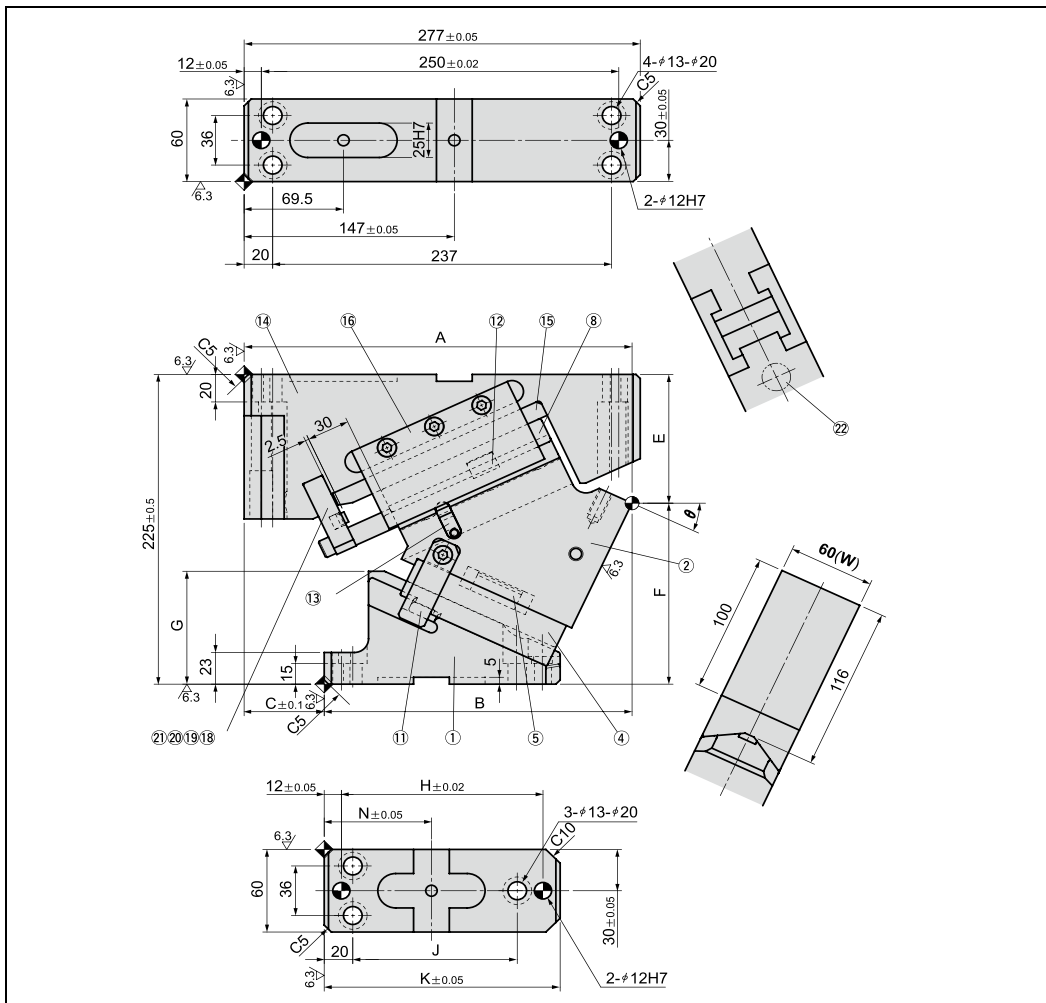


## CUCMSV 60 (00~45)



θ	Travel	A	B	C	E	F	G	H	J	K	N
00	19.3	267.00	167.00	100	69.00	156.00	38.0	141	115	165	75
05	21.3	274.45	179.45	95	73.08	151.92	46.5				
10	23.3	272.04	186.04	86	77.56	147.44	55.0				
15	25.4	273.74	196.74	77	82.44	142.56	62.0				
20	27.6	273.50	204.50	69	88.73	136.27	71.0				
25	30.0	271.28	215.28	56	93.53	131.47	82.0				
30	32.6	270.02	222.02	48	98.57	126.43	96.5				
35	35.4	266.76	217.76	49	105.15	119.85	101.0	121	95	145	65
40	38.6	262.47	223.47	39	112.10	112.90	108.0				
45	42.3	256.13	225.13	31	126.50	98.50	110.0				

## ■ Specification Table

Catalog No.	Mounting Width (W)	Working Angle (θ)	Working Force (KN)	Return Force N(kgf)	Spring Type PS
CUCMSV	60	00	75.0	3667 (374.2)	GK GD
		05		3661 (373.5)	
		10		3654 (372.8)	
		15		3647 (372.1)	
		20		3640 (371.4)	
		25		3632 (370.6)	
		30		3624 (369.8)	
		35		3616 (369.0)	
		40		3608 (368.2)	
		45		3600 (367.4)	

## ■ Table of Components

NO.	Description	Q'TY
1	Cam Driver	1
2	Cam Slider	1
4	Cam Bottom Plate	1
5	Key	1
8	Slide Plate	1
11	Positive Return	2
12	Key	1
13	Spring Stopper	2
14	Cam Holder	1
15	Slide Plate	1
16	Slide Keeper	2
18	Stopper Plate	1
19	Stopper	2
20	Bolt	1
21	Lock Block	1
22	Gas Spring	1

## ■ Spring Specification

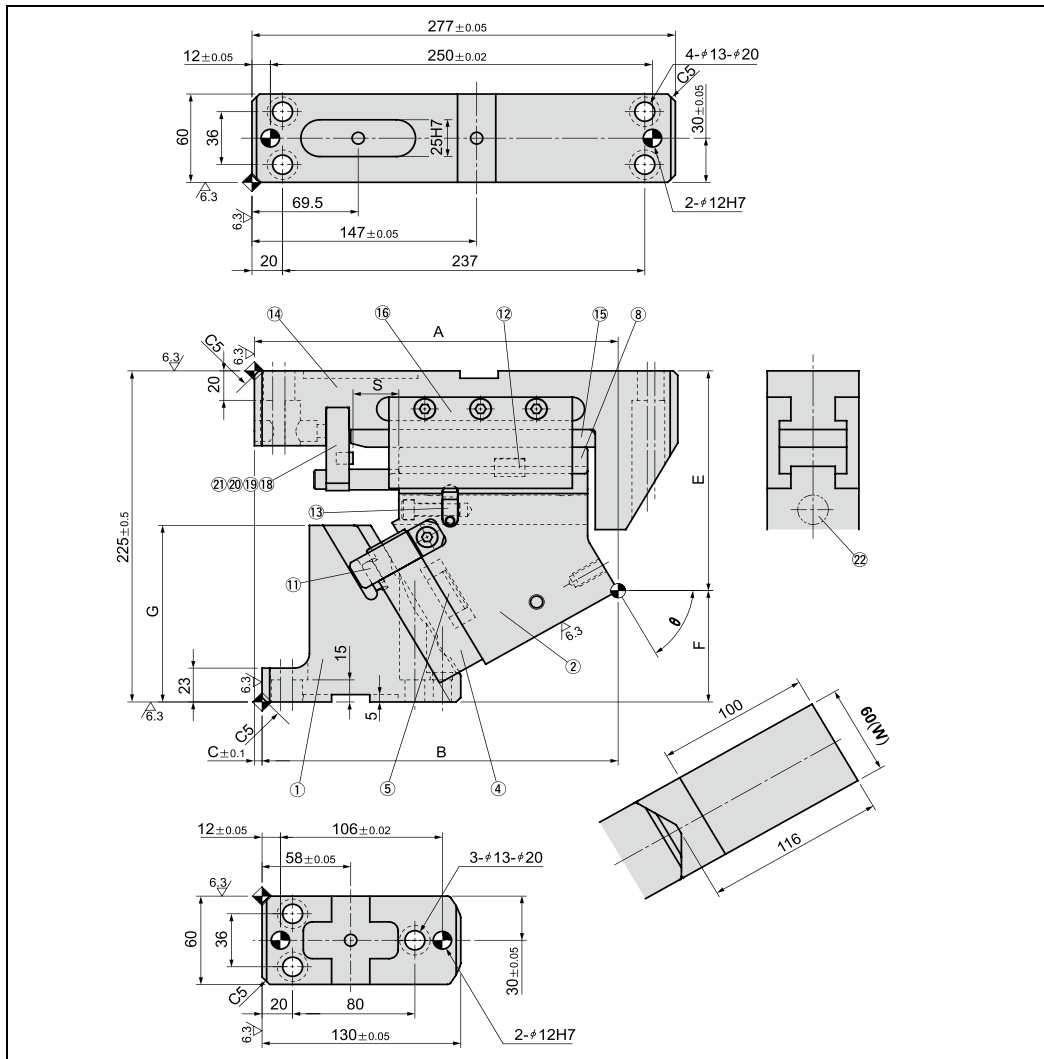
Spring (PS)	Spring Force N(kgf)		Model
	Initial	Final	
GD	-	2458 (250.8)	U.0175.038.TO (DADCO)
GK	-	2568 (262.0)	X170-038-TD (KALLER)



Order

Catalog No. (W) - θ - PS  
 CUCMSV 60 - 25 - GD

## CUCMSV 60 (50~75)



$\theta$	Travel	A	B	C	E	F	G	S
50	46.7	249.80	226.80	23	134.78	90.22	113.0	30
55	52.3	247.39	231.39	16	141.94	83.06	112.0	
60	60.0	237.95	232.95	5	149.36	75.64	120.0	
65	71.0	235.00	240.00	-5	163.68	61.32	120.0	
70	58.5	230.00	245.00	-15	177.95	47.05	120.0	20
75	77.3	222.00	247.00	-25	187.73	37.27	135.0	

## ■ Specification Table

Catalog No.	Mounting Width (W)	Working Angle (θ)	Working Force (KN)	Return Force N(kgf)	Spring Type PS
CUCMSV	60	50	75.0	3592 (366.6)	GK GD
		55		3908 (398.8)	
		60		4321 (440.9)	
		65		4872 (497.1)	
		70		5662 (577.8)	
		75		6773 (691.1)	

## ■ Table of Components

NO.	Description	Q'TY
1	Cam Driver	1
2	Cam Slider	1
4	Cam Bottom Plate	1
5	Key	1
8	Slide Plate	1
11	Positive Return	2
12	Key	1
13	Spring Stopper	2
14	Cam Holder	1
15	Slide Plate	1
16	Slide Keeper	2
18	Stopper Plate	1
19	Stopper	2
20	Bolt	1
21	Lock Block	1
22	Gas Spring	1

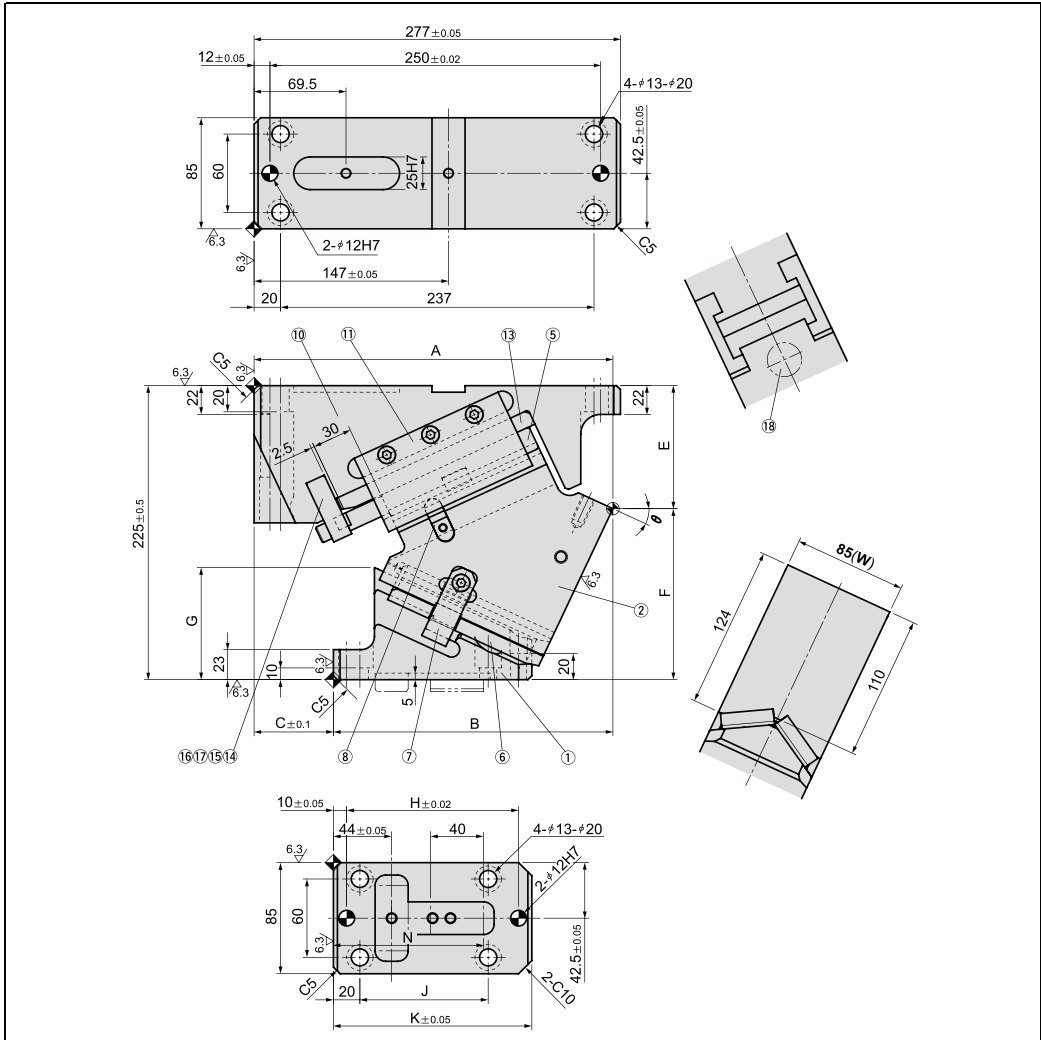
## ■ Spring Specification

Spring (PS)	θ	Spring Force N(kgf)		Model
		Initial	Final	
GD	50~65	-	2458 (250.8)	U.0175.038.TO (DADCO)
GK			2568 (262.0)	X170-038-TD (KALLER)
GD	70~75	-	2468 (251.8)	U.0175.025.TO (DADCO)
GK			2580 (263.3)	X170-025-TD (KALLER)



Order **Catalog No.** (W) - θ - PS  
**CUCMSV 60 - 50 - GD**

## CUCMSV 85 (00~45)



θ	Travel	A	B	C	E	F	G	H	J	K	N
00	19.3	267.00	152.00	115	63.00	162.00	45.0	130	97	150	113.5
05	21.3	272.39	162.39	110	67.16	157.74	51.9				
10	23.3	275.07	174.07	101	71.77	153.23	59.7				
15	25.4	277.99	185.99	92	79.72	145.28	65.7				
20	27.6	273.08	204.08	69	88.43	136.57	71.0				
25	30.0	271.30	211.30	60	94.15	130.85	85.8				
30	32.6	269.61	217.61	52	100.26	124.74	93.0				
35	35.4	265.99	218.99	47	103.46	121.54	104.0	120	87	140	107
40	38.6	262.39	225.39	37	110.53	114.47	110.0				
45	42.3	256.82	233.82	23	117.97	107.03	115.0				

## ■ Specification Table

Catalog No.	Mounting Width (W)	Working Angle (θ)	Working Force (KN)	Return Force N(kgf)	Spring Type PS
CUCMSV	85	00	100.0	7446 (759.8)	GK GD
		05		7436 (758.8)	
		10		7426 (757.8)	
		15		7416 (756.7)	
		20		7405 (755.6)	
		25		7393 (754.4)	
		30		7382 (753.2)	
		35		7370 (752.0)	
		40		7358 (750.8)	
		45		7346 (749.6)	

## ■ Table of Components

NO.	Description	Q'TY
1	Cam Driver	1
2	Cam Slider	1
5	Slide Plate	1
6	Slide Plate	2
7	Positive Return	2
8	Spring Stopper	2
10	Cam Holder	1
11	Slide Keeper	2
13	Slide Plate	1
14	Stopper Plate	1
15	Stopper	2
16	Lock Block	1
17	Bolt	2
18	Gas Spring	1

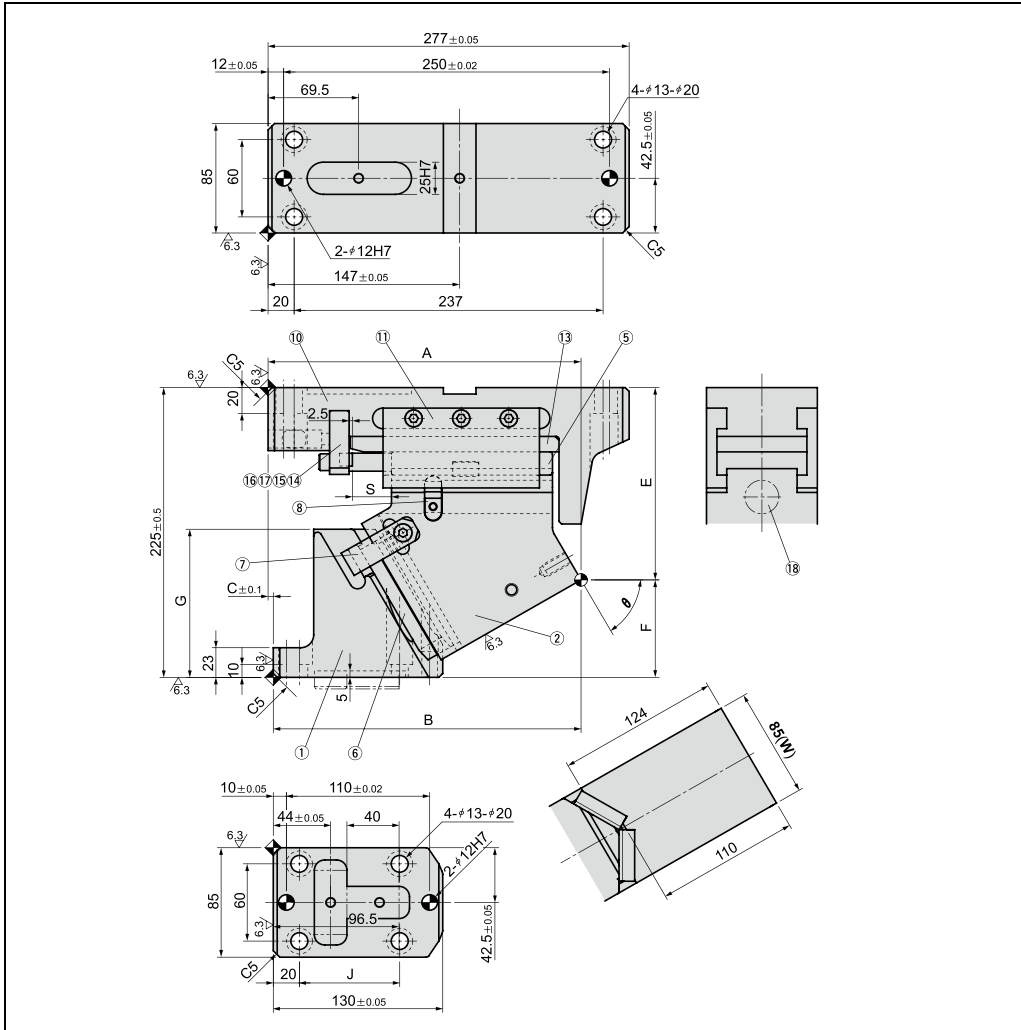
## ■ Spring Specification

Spring (PS)	θ	Spring Force N(kgf)		Model
		Initial	Final	
GD	00~45	-	4574 (466.7)	U.0325.038.TO (DADCO)
GK		-	4858 (495.7)	X320-038-TD (KALLER)



Order **Catalog No.** (W) - θ - PS  
**CUCMSV 85 - 25 - GD**

## CUCMSV 85 (50~75)



$\theta$	Travel	A	B	C	E	F	G	S	J
50	46.7	249.24	229.24	20	330.48	91.52	115.0	30	77
55	52.3	250.67	231.67	19	140.79	84.21	110.0		
60	60.0	240.10	236.10	4	149.35	75.65	115.0		
65	71.0	235.00	240.00	-5	159.05	65.95	120.0		
70	58.5	230.00	245.00	-15	168.88	56.12	135.0	20	80
75	77.3	228.00	253.00	-25	186.99	38.01		90	

## ■ Specification Table

Catalog No.	Mounting Width (W)	Working Angle ( $\theta$ )	Working Force (KN)	Return Force N(kgf)	Spring Type PS
CUCMSV	85	50	100.0	7334 (748.3)	GK GD
		55		7979 (814.2)	
		60		8822 (900.2)	
		65		9948 (1015.1)	
		70		11571 (1180.7)	
		75		13839 (1412.2)	

## ■ Table of Components

NO.	Description	Q'TY
1	Cam Driver	1
2	Cam Slider	1
5	Slide Plate	1
6	Slide Plate	2
7	Positive Return	2
8	Spring Stopper	2
10	Cam Holder	1
11	Slide Keeper	2
13	Slide Plate	1
14	Stopper Plate	1
15	Stopper	2
16	Lock Block	1
17	Bolt	2
18	Gas Spring	1

## ■ Spring Specification

Spring (PS)	$\theta$	Spring Force N(kgf)		Model
		Initial	Final	
GD	50~65	-	4574 (466.7)	U.0325.038.TO (DADCO)
GK			4858 (495.7)	X320-038-TD (KALLER)
GD	70~75	-	4592 (468.6)	U.0325.025.TO (DADCO)
GK			4800 (489.8)	X320-025-TD (KALLER)

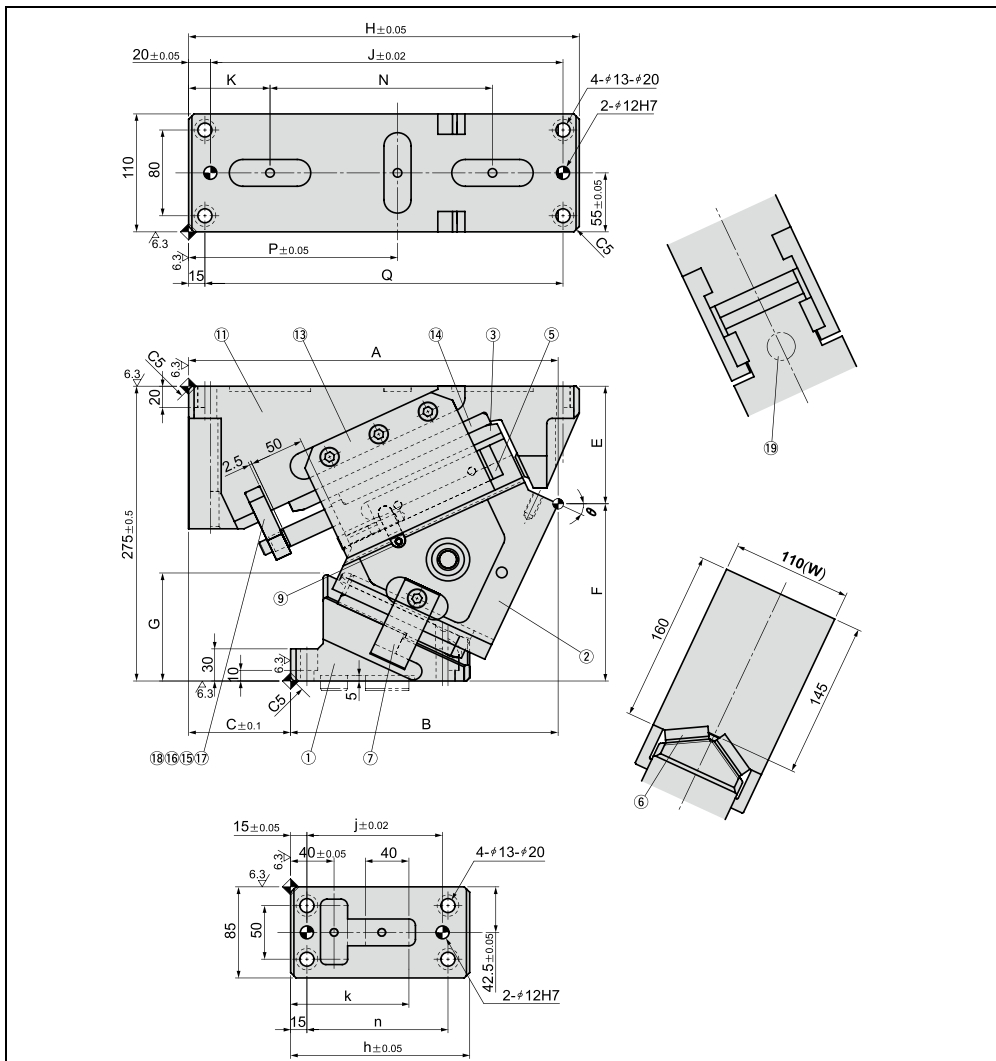


Order

Catalog No. (W) -  $\theta$  - PS  
**CUCMSV 85 - 60 - GD**



## CUCMSV 110 (00~45)



θ	Travel	A	B	C	E	F	G	H	J	K	N	P	Q
00	32.1	318.00	180.00	138	70.00	205.00	55.0	330	295	70	185.0	137.5	300
05	35.5	324.46	194.46	130	79.26	195.74	59.6						
10	38.9	330.22	209.22	121	84.13	190.87	70.2						
15	42.4	336.20	222.20	114	94.45	180.55	76.8						
20	46.1	339.32	234.32	105	100.42	174.58	89.3	360	325	75	205.0	192.5	330
25	50.0	340.51	246.51	94	109.67	165.33	100.8						
30	54.3	348.36	278.36	70	120.54	154.46	124.5						
35	59.0	343.52	289.52	54	127.82	147.18	125.0						
40	64.3	332.59	268.59	64	139.41	135.59	130.0						
45	70.4	322.52	277.52	45	149.44	125.56	140.0						

## ■ Specification Table

Catalog No.	Mounting Width (W)	Working Angle (θ)	Working Force (KN)	Return Force N(kgf)	Spring Type PS	j	k	n	h
CUCMSV	110	00	150.0	7533 (768.7)	GK GD	125	109	130	150
		05		7516 (767.0)					
		10		7499 (765.2)					
		15		7480 (763.3)					
		20		7461 (761.3)		140	115	180	
		25		7441 (759.2)					
		30		7420 (757.1)					
		35		7399 (755.0)		105	95	150	
		40		7378 (752.8)					
		45		7356 (750.6)					

## ■ Table of Components

NO.	Description	Q'TY
1	Cam Driver	1
2	Cam Slider	1
3	Slide Plate	1
5	OillessPlate	2
6	Slide Plate	2
7	Positive Return	2
9	Spring Stopper	2
11	Cam Holder	1
13	Slide Keeper	1
14	Slide Plate	1
15	Stopper	2
16	Stopper Plate	1
17	Lock Block	1
18	Bolt	1
19	Gas Spring	1

## ■ Spring Specification

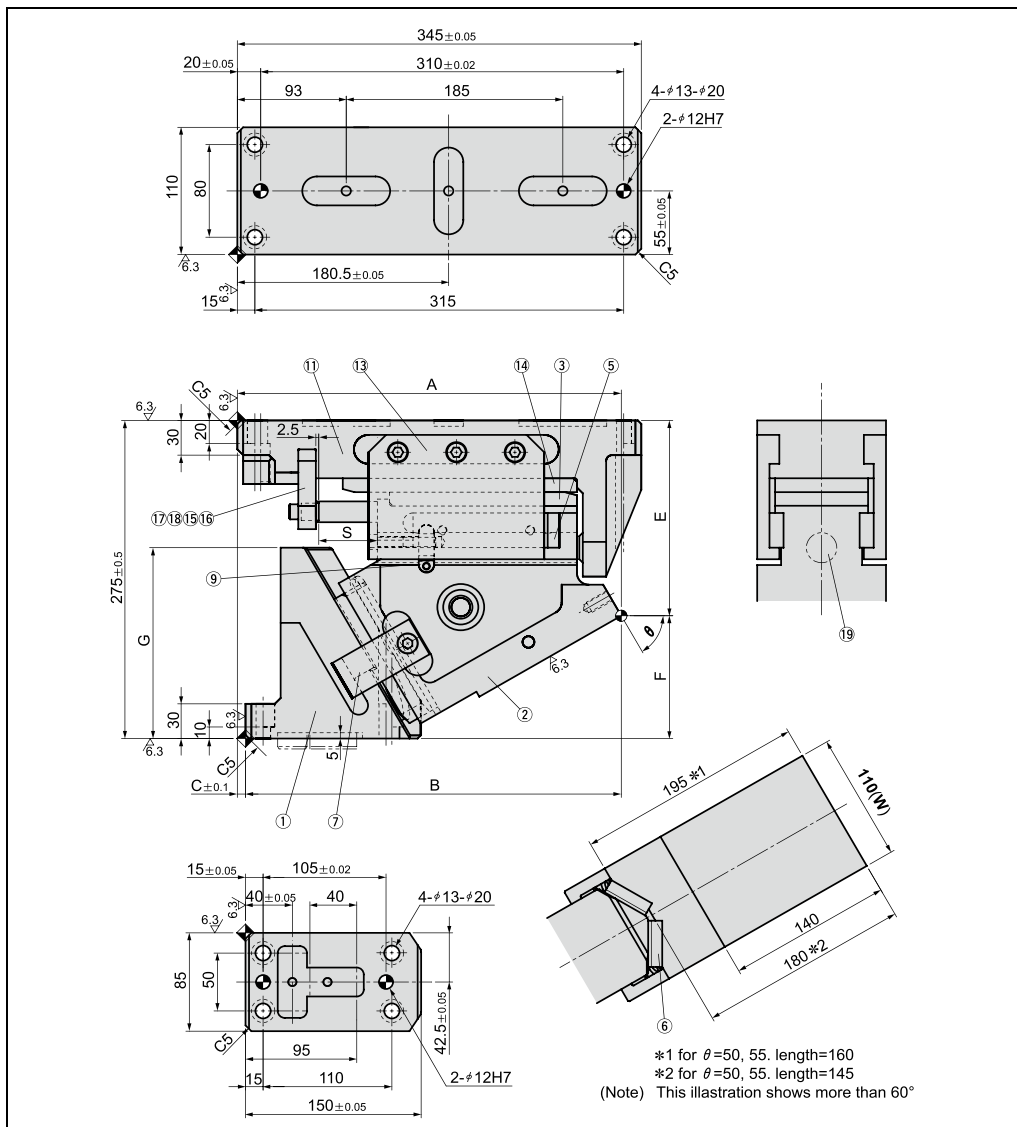
Spring (PS)	θ	Spring Force N(kgf)		Model
		Initial	Final	
GD	00~45	-	4581 (467.4)	U.0325.063.TO (DADCO)
GK			4867 (496.6)	X320-063-TD (KALLER)



Order

Catalog No. (W) - θ - PS  
**CUCMSV 110 - 25 - GD**

## CUCMSV 110 (50~75)



$\theta$	Travel	A	B	C	E	F	G	S
50	77.8	309.47	284.47	25	156.17	118.83	150.0	50
55	87.2	311.07	293.07	18	169.79	105.21	155.0	
60	100.0	327.93	320.93	7	168.85	106.15	165.0	40
65	94.6	317.17	327.17	-10	185.00	90.00		28
70	81.9	313.12	333.12	-20	205.00	70.00		
75	108.2	306.76	336.76	-30	225.00	50.00		

## ■ Specification Table

Catalog No.	Mounting Width (W)	Working Angle (θ)	Working Force (KN)	Return Force N(kgf)	Spring Type PS
CUCMSV	110	50	150.0	7335 (748.5)	GK GD
		55		7979 (814.2)	
		60		8819 (899.8)	
		65		9977 (1018.1)	
		70		11141 (1136.9)	
		75		13323 (1359.5)	

## ■ Table of Components

NO.	Description	Q'TY
1	Cam Driver	1
2	Cam Slider	1
3	Slide Plate	1
5	OillessPlate	2
6	Slide Plate	2
7	Positive Return	2
9	Spring Stopper	2
11	Cam Holder	1
13	Slide Keeper	1
14	Slide Plate	1
15	Stopper	2
16	Stopper Plate	1
17	Lock Block	1
18	Bolt	1
19	Gas Spring	1

## ■ Spring Specification

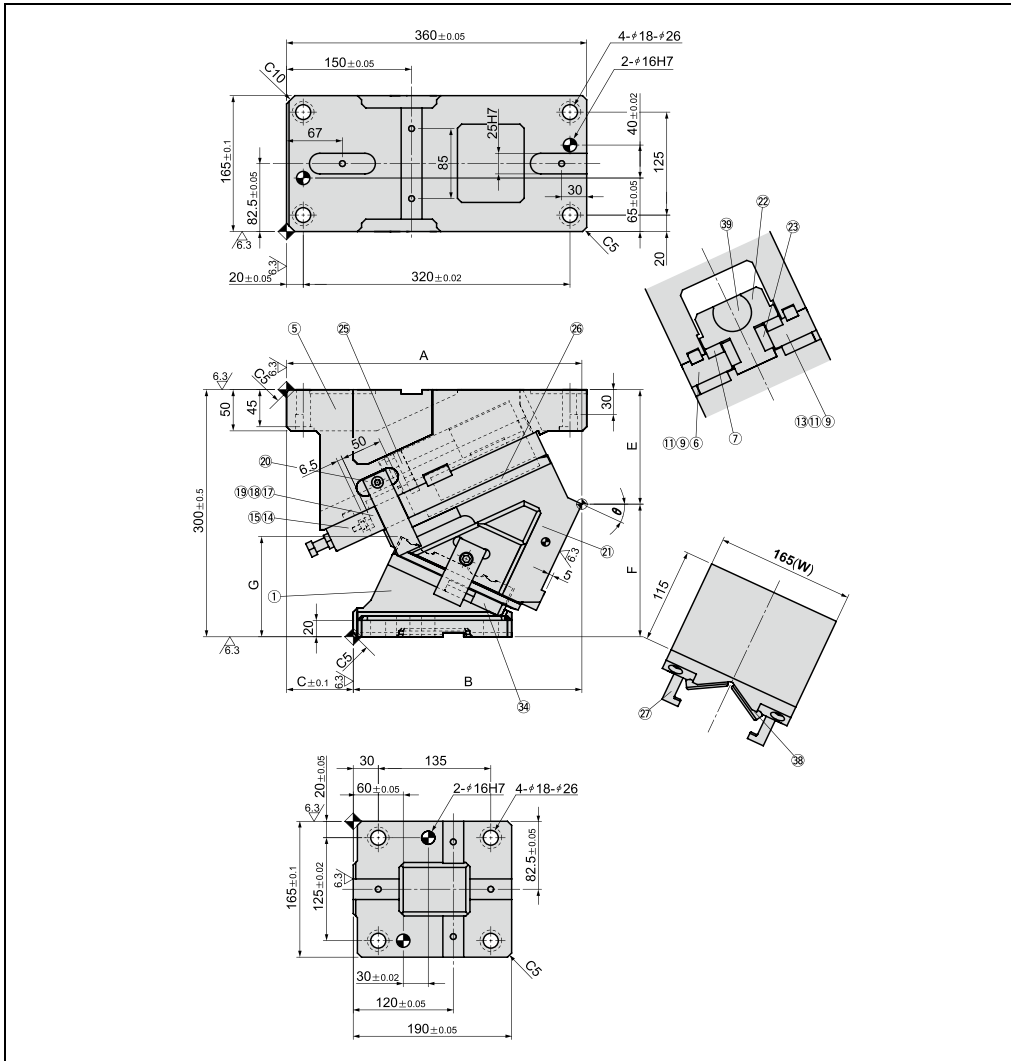
Spring (PS)	θ	Spring Force N(kgf)		Model
		Initial	Final	
GD	50~60	-	4581 (467.4)	U.0325.063.TO (DADCO)
GK		-	4867 (496.6)	X320-063-TD (KALLER)
GD	65	-	4592 (468.6)	U.0325.050.TO (DADCO)
GK		-	4880 (498.0)	X320-050-TD (KALLER)
GD	70~75	-	4482 (457.3)	U.0325.038.TO (DADCO)
GK		-	4747 (484.4)	X320-038-TD (KALLER)



Order

Catalog No. (W) - θ - PS  
 CUCMSV 110 - 60 - GD

## CUCMSV 165 (00~45)



$\theta$	Travel	A	B	C	E	F	G
00	32.1	360.00	210.00	150	95.00	205.00	77.5
05	35.5	356.25	222.25	134	100.91	199.09	87.8
10	38.9	359.27	241.27	118	111.09	188.91	94.6
15	42.4	355.78	244.78	111	122.47	177.53	101.0
20	46.1	355.68	262.68	93	130.00	170.00	111.8
25	50.0	354.25	274.25	80	138.92	161.08	121.6
30	54.3	357.28	287.28	70	148.28	151.72	131.3
35	59.0	345.80	281.80	64	158.89	141.11	139.9
40	64.3	344.27	286.27	58	170.38	129.62	147.7
45	70.4	344.86	304.86	40	182.66	117.34	154.5

## ■ Specification Table

Catalog No.	Mounting Width (W)	Working Angle (θ)	Working Force (KN)	Return Force N(kgf)	Spring Type PS
CUCMSV	165	00	171.0	14996 (1530.3)	GK GD
		05		14972 (1527.8)	
		10		14945 (1525.0)	
		15		14918 (1522.3)	
		20		14890 (1519.4)	
		25		14860 (1516.3)	
		30		14830 (1513.2)	
		35		14799 (1510.1)	
		40		14768 (1506.9)	
		45		14736 (1503.7)	

## ■ Table of Components

NO.	Description	Q'TY
1	Cam Driver	1
5	Cam Holder	1
6	Base Plate R	1
7	Oiless Plate	2
9	Key	4
11	Key	2
13	Base Plate L	1
14	Stopper Plate	1
15	Stopper	2
17	Lock Block	1
18	Bolt	2
19	Nut	2
20	Safty Plate	2
21	Cam Slider	1
22	Spring Guide	1
23	Slide Plate	2
25	Gas Spring Guide	1
26	Slide Plate	2
27	Positive Return Plate	2
34	Cam Slider Guide	1
38	Slide Plate	2
39	Gas Spring	1

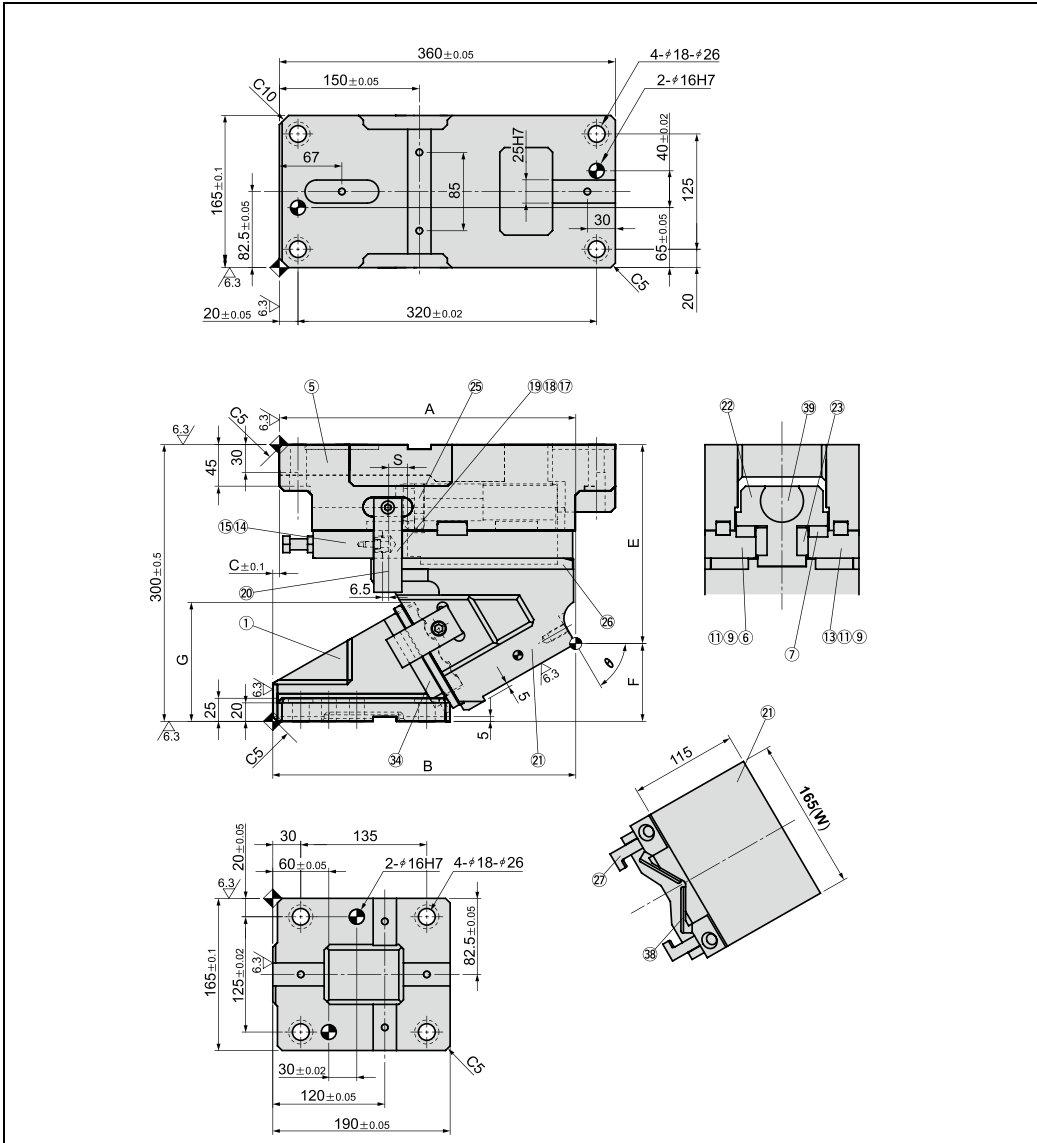
## ■ Spring Specification

Spring (PS)	θ	Spring Force N(kgf)		Model
		Initial	Final	
GD	00~45	-	10526 (1074.1)	U.0800.063.TO (DADCO)
GK		-	10892 (1111.4)	X750-063-TD (KALLER)



Order   -  -   
**CUCMSV 165 - 20 - GD**

## CUCMSV 165 (50~75)



$\theta$	Travel	A	B	C	E	F	G	S
50	77.8	327.27	317.27	10	195.63	104.37	141.2	50
55	61.0	324.39	324.39	0	210.20	89.80	127.3	35
60	40.0	317.59	324.59	-7	215.63	84.37	128.9	20
65	47.3	314.23	329.23	-15	231.40	68.60	132.5	
70	58.5	308.07	333.07	-25	245.67	54.33	132.9	
75	58.0	301.08	336.08	-35	260.24	39.76	132.3	15

## ■ Specification Table

Catalog No.	Mounting Width (W)	Working Angle (θ)	Working Force (KN)	Return Force N(kgf)	Spring Type PS
CUCMSV	165	50	171.0	14705 (1500.5)	GK GD
		55		15372 (1568.5)	
		60		15715 (1603.6)	
		65		17719 (1808.0)	
		70		20488 (2090.6)	
		75		22993 (2346.2)	

## ■ Table of Components

NO.	Description	Q'TY
1	Cam Driver	1
5	Cam Holder	1
6	Base Plate R	1
7	Oilless Plate	2
9	Key	4
11	Key	2
13	Base Plate L	1
14	Stopper Plate	1
15	Stopper	2
17	Lock Block	1
18	Bolt	2
19	Nut	2
20	Safety Plate	2
21	Cam Slider	1
22	Spring Guide	1
23	Slide Plate	2
25	Gas Spring Guide	1
26	Slide Plate	2
27	Positive Return Plate	2
34	Cam Slider Guide	1
38	Slide Plate	2
39	Gas Spring	1

## ■ Spring Specification

Spring (PS)	θ	Spring Force N(kgf)		Model
		Initial	Final	
GD	50	-	10526 (1074.1)	U.0800.063.TO (DADCO)
GK			10892 (1111.4)	X750-063-TD (KALLER)
GD	55	-	10148 (1035.5)	U.0800.050.TO (DADCO)
GK			10480 (1069.4)	X750-050-TD (KALLER)
GD	60~70	-	9446 (963.9)	U.0800.038.TO (DADCO)
GK			9716 (991.4)	X750-038-TD (KALLER)
GD	75	-	8915 (909.7)	U.0800.038.TO (DADCO)
GK			9137 (932.3)	X750-038-TD (KALLER)

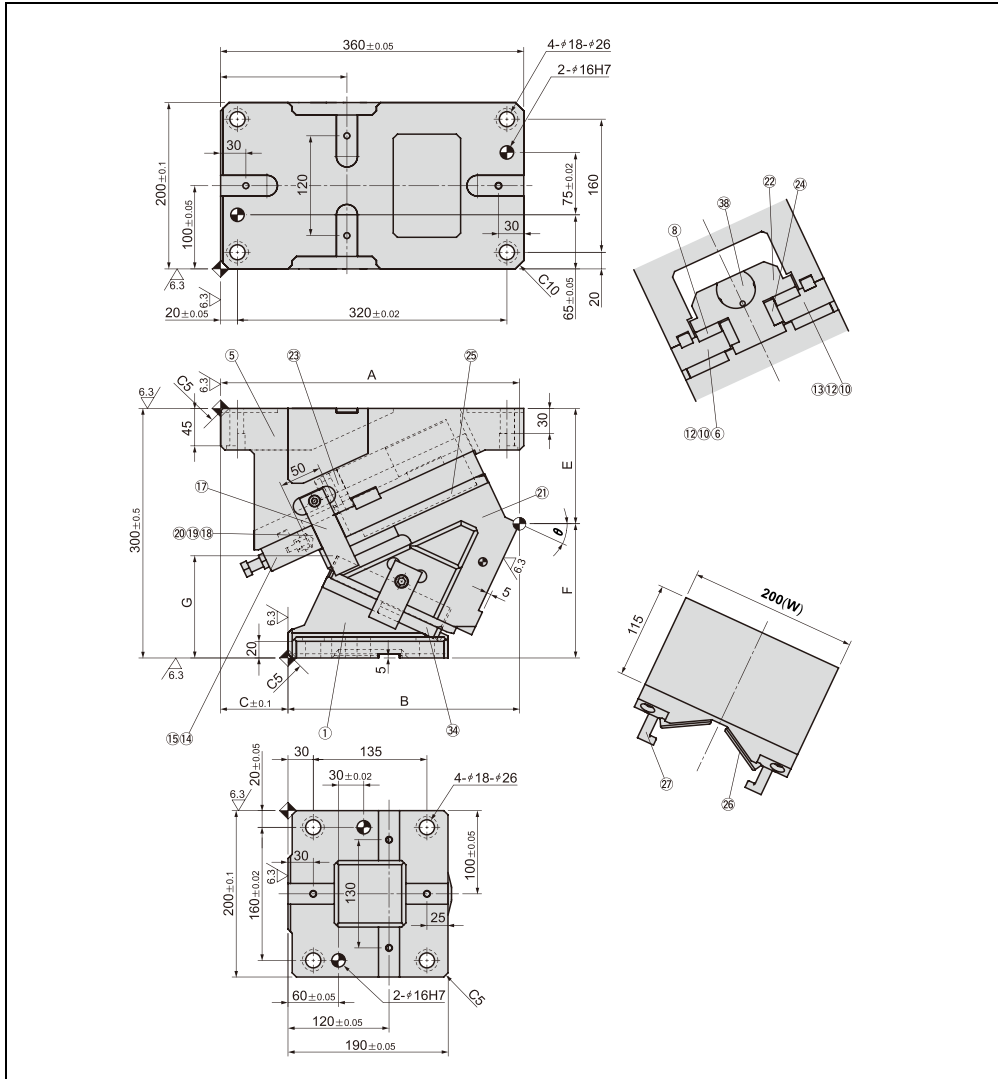


Order

Catalog No. (W) - θ - PS  
**CUCMSV 165 - 60 - GD**



## CUCMSV 200 (00~45)



θ	Travel	A	B	C	E	F	G
00	32.1	360.00	210.00	150	95.00	205.00	78.5
05	35.5	356.25	222.25	134	100.91	199.09	88.8
10	38.9	359.27	241.27	118	111.09	188.91	95.6
15	42.4	355.78	244.78	111	122.47	177.53	101.9
20	46.1	355.68	262.68	93	130.00	170.00	112.7
25	50.0	354.88	274.88	80	138.62	161.38	122.8
30	54.3	357.28	287.28	70	148.28	151.72	132.2
35	59.0	345.80	281.80	64	158.89	141.11	140.7
40	64.3	344.27	286.27	58	170.38	129.62	148.4
45	70.4	344.86	304.86	40	182.66	117.34	155.2

## ■ Specification Table

Catalog No.	Mounting Width (W)	Working Angle (θ)	Working Force (KN)	Return Force N(kgf)	Spring Type PS
CUCMSV	200	00	218.0	15061 (1536.8)	GK GD
		05		15030 (1533.6)	
		10		14996 (1530.2)	
		15		14961 (1526.7)	
		20		14925 (1523.0)	
		25		14887 (1519.1)	
		30		14849 (1515.2)	
		35		14810 (1511.2)	
		40		14770 (1507.2)	
		45		14730 (1503.1)	

## ■ Table of Components

NO.	Description	Q'TY
1	Cam Driver	1
5	Cam Holder	1
6	Base Plate R	1
8	Oilless Plate	2
10	Key	4
12	Key	2
13	Base Plate L	1
14	Stopper Plate	1
15	Stopper	1
17	Safety Plate	2
18	Lock Block	1
19	Bolt	2
20	Nut	2
21	Cam Slider	1
22	Spring Guide	1
23	Gas Spring Guide	1
24	Slide Plate	2
25	Slide Plate	2
26	Slide Plate	2
27	Positive Return Plate	2
34	Gas Spring Guide	1
38	Gas Spring	1

## ■ Spring Specification

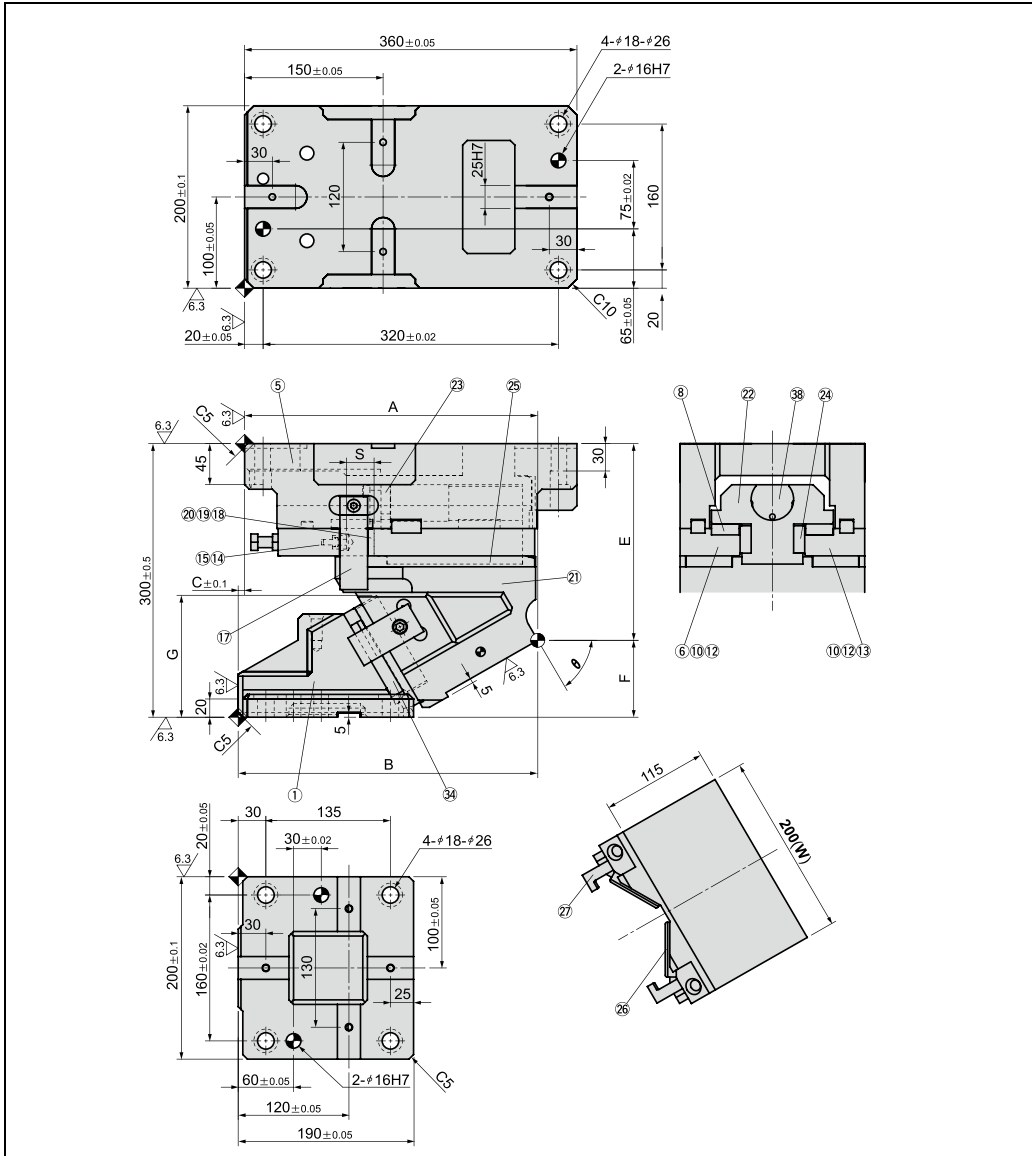
Spring (PS)	θ	Spring Force N(kgf)		Model
		Initial	Final	
GD	00~45	-	10526 (1074.1)	U.0800.063.TO (DADCO)
GK		-	10892 (1111.4)	X750-063-TD (KALLER)



Order

Catalog No. (W) - θ - PS  
**CUCMSV 200 - 25 - GD**

## CUCMSV 200 (50~75)



$\theta$	Travel	A	B	C	E	F	G	S
50	77.8	327.27	317.27	10	195.63	104.37	142.0	50
55	52.3	324.39	324.39	0	210.20	89.80	132.0	30
60	60.0	317.59	324.59	-7	215.63	84.37	134.0	
65	71.0	319.23	334.23	-15	231.40	68.60	133.0	
70	58.5	313.07	338.07	-25	245.67	54.33	134.0	20
75	77.3	306.08	341.08	-35	260.24	39.76	133.0	

## ■ Specification Table

Catalog No.	Mounting Width (W)	Working Angle (θ)	Working Force (KN)	Return Force N(kgf)	Spring Type PS
CUCMSV	200	50	218.0	14691 (1499.0)	GK GD
		55		14688 (1498.8)	
		60		16243 (1657.4)	
		65		18313 (1868.6)	
		70		20465 (2088.3)	
		75		24477 (2497.6)	

## ■ Table of Components

NO.	Description	Q'TY
1	Cam Driver	1
5	Cam Holder	1
6	Base Plate R	1
8	Oilless Plate	2
10	Key	4
12	Key	2
13	Base Plate L	1
14	Stopper Plate	1
15	Stopper	1
17	Safety Plate	2
18	Lock Block	1
19	Bolt	2
20	Nut	2
21	Cam Slider	1
22	Spring Guide	1
23	Gas Spring Guide	1
24	Slide Plate	2
25	Slide Plate	2
26	Slide Plate	2
27	Positive Return Plate	2
34	Gas Spring Guide	1
38	Gas Spring	1

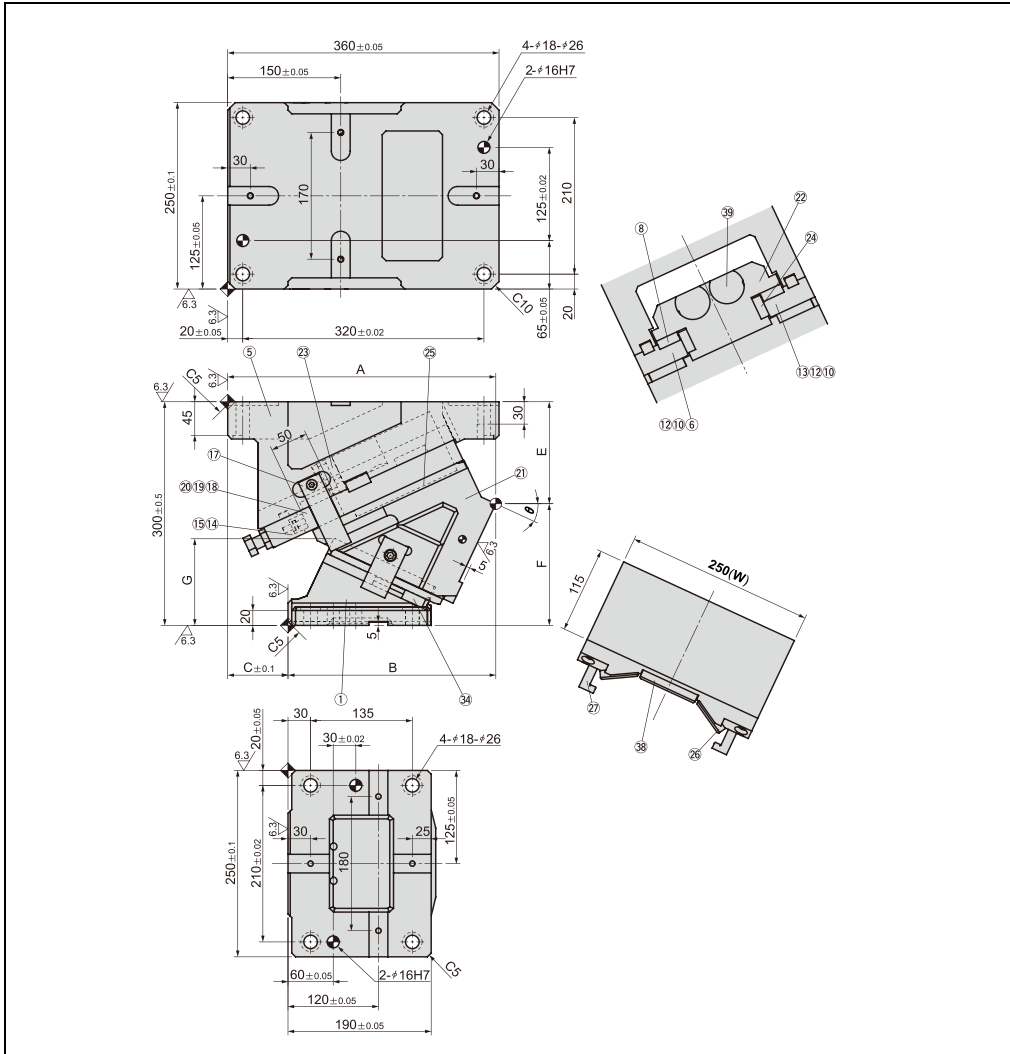
## ■ Spring Specification

Spring (PS)	θ	Spring Force N(kgf)		Model
		Initial	Final	
GD	50	-	10526 (1074.1)	U.0800.063.TO (DADCO)
GK			10892 (1111.4)	X750-063-TD (KALLER)
GD	55~65	-	11360 (1159.2)	U.0800.050.TO (DADCO)
GK			10040 (1024.5)	X750-050-TD (KALLER)
GD	70~75	-	9446 (963.9)	U.0800.038.TO (DADCO)
GK			9716 (991.4)	X750-038-TD (KALLER)



Order **Catalog No.** **(W)** - **θ** - **PS**  
**CUCMSV** **200** - **60** - **GD**

## CUCMSV 250 (00~45)



θ	Travel	A	B	C	E	F	G
00	32.1	360.00	210.00	150	95.00	205.00	72.5
05	35.5	356.43	222.43	134	98.92	201.08	84.8
10	38.9	359.62	241.62	118	109.12	190.88	91.7
15	42.4	356.30	245.30	111	120.53	179.47	96.8
20	46.1	356.37	263.37	93	128.12	171.88	107.2
25	50.0	355.73	275.73	80	136.81	163.19	117.1
30	54.3	358.28	288.28	70	146.55	153.45	126.2
35	59.0	346.94	282.94	64	157.25	142.75	134.6
40	64.3	345.56	287.56	58	168.85	131.15	142.1
45	70.4	346.27	306.24	40	181.24	118.76	148.8

## ■ Specification Table

Catalog No.	Mounting Width (W)	Working Angle (θ)	Working Force (KN)	Return Force N(kgf)	Spring Type PS
CUCMSV	250	00	284.0	29916 (3052.7)	GK GD
		05		29876 (3048.5)	
		10		29832 (3044.0)	
		15		29786 (3039.4)	
		20		29738 (3034.5)	
		25		29688 (3029.4)	
		30		29637 (3024.2)	
		35		29586 (3019.0)	
		40		29534 (3013.6)	
		45		29481 (3008.3)	

## ■ Table of Components

NO.	Description	Q'TY
1	Cam Driver	1
5	Cam Holder	1
6	Base Plate R	1
8	Oilless Plate	2
10	Key	4
12	Key	2
13	Base Plate L	1
14	Stopper Plate	1
15	Stopper	2
17	Safety Plate	2
18	Lock Block	1
19	Bolt	2
20	Nut	2
21	Cam Slider	1
22	Spring Guide	1
23	Gas Spring Guide	1
24	Slide Plate	2
25	Slide Plate	2
26	Slide Plate	2
27	Positive Return Plate	2
34	Cam Slider Guide	1
38	Slide Plate	1
39	Gas Spring	2

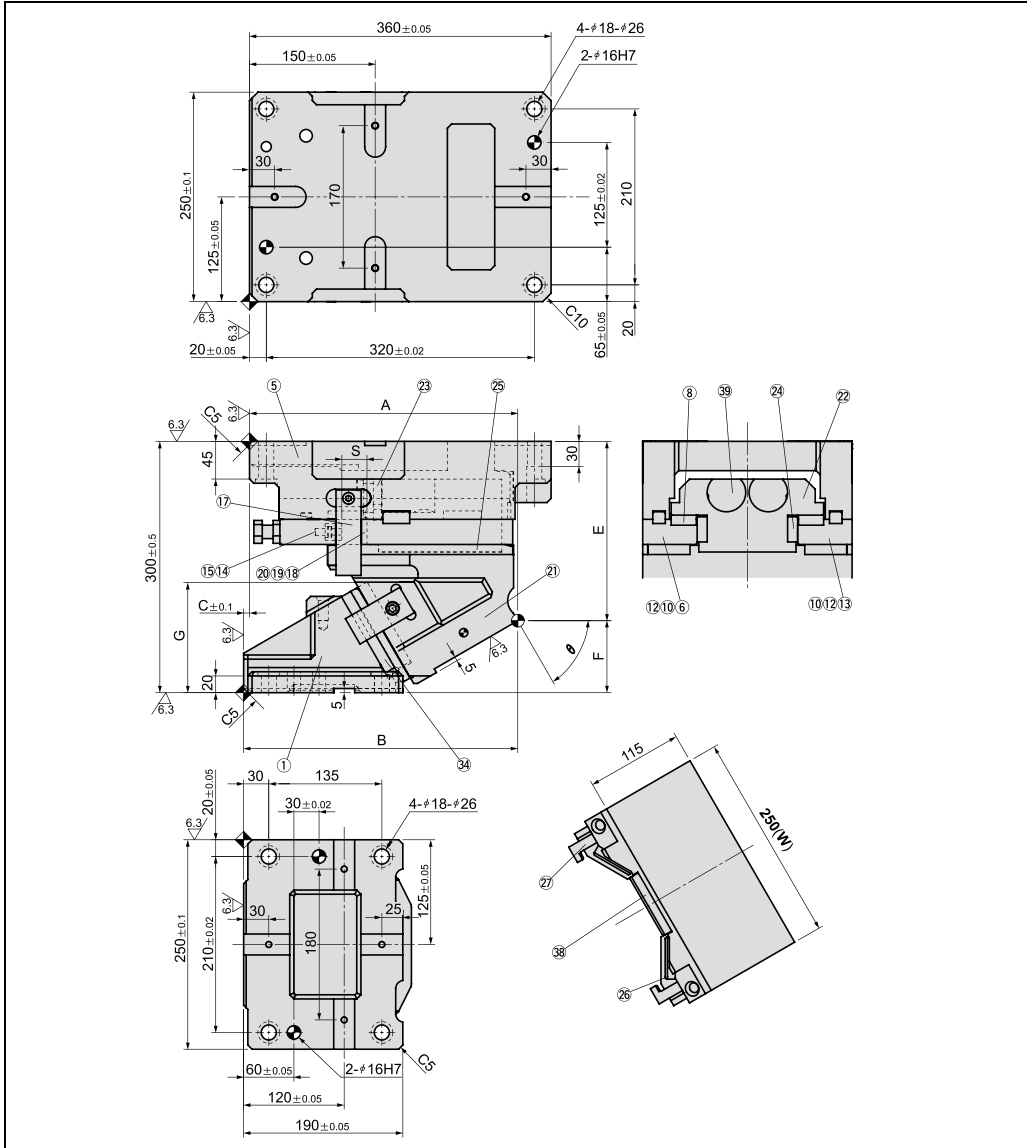
## ■ Spring Specification

Spring (PS)	θ	Spring Force N(kgf)		Model
		Initial	Final	
GD	00~45	-	21053 (2148.3)	U.0800.063.TO (DADCO)
GK		-	21784 (2222.9)	X750-063-TD (KALLER)



Order   -  -   
**CUCMSV 250 - 25 - GD**

## CUCMSV 250 (50~75)



$\theta$	Travel	A	B	C	E	F	G	S
50	77.8	328.80	318.80	10	194.34	105.66	139.2	50
55	52.3	326.84	326.84	0	208.48	91.52	126.1	30
60	60.0	320.19	327.19	-7	214.13	85.87	132.2	
65	71.0	319.23	334.23	-15	231.40	68.60	135.0	
70	58.5	313.07	338.07	-25	245.67	54.33	135.9	20
75	77.3	306.08	341.08	-35	260.24	39.76	135.9	

## ■ Specification Table

Catalog No.	Mounting Width (W)	Working Angle ( $\theta$ )	Working Force (KN)	Return Force N(kgf)	Spring Type PS
CUCMSV	250	50	284.0	29429 (3003.0)	GK GD
		55		29429 (3003.0)	
		60		32542 (3320.6)	
		65		36709 (3745.8)	
		70		41018 (4185.5)	
		75		49066 (5006.7)	

## ■ Table of Components

NO.	Description	Q'TY
1	Cam Driver	1
5	Cam Holder	1
6	Base Plate R	1
8	Oilless Plate	2
10	Key	4
12	Key	2
13	Base Plate L	1
14	Stopper Plate	1
15	Stopper	2
17	Safty Plate	2
18	Lock Block	1
19	Bolt	2
20	Nut	2
21	Cam Slider	1
22	Spring Guide	1
23	Gas Spring Guide	1
24	Slide Plate	2
25	Slide Plate	2
26	Slide Plate	2
27	Positive Return Plate	2
34	Cam Slider Guide	1
38	Slide Plate	1
39	Gas Spring	2

## ■ Spring Specification

Spring (PS)	$\theta$	Spring Force N(kgf)		Model
		Initial	Final	
GD	50	-	21053 (2148.3)	U.0800.063.TO (DADCO)
GK			21784 (2222.9)	X750-063-TD (KALLER)
GD	55~65	-	22720 (2318.4)	U.0800.050.TO (DADCO)
GK			20080 (2049.0)	X750-050-TD (KALLER)
GD	70~75	-	18893 (1927.9)	U.0800.038.TO (DADCO)
GK			19432 (1982.9)	X750-038-TD (KALLER)

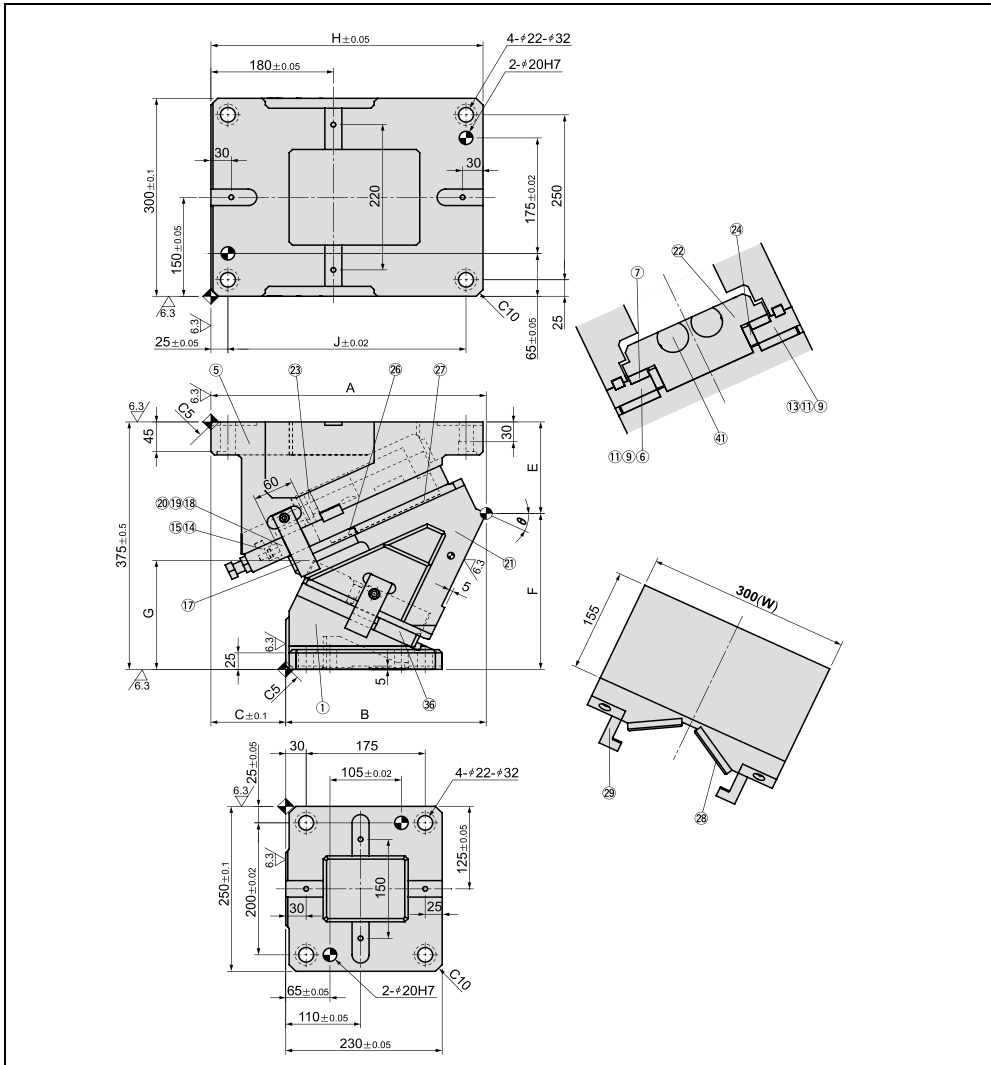


Order

Catalog No. (W) -  $\theta$  - PS  
 CUCMSV 250 - 60 - GD



## CUCMSV 300 (00~45)



$\theta$	Travel	A	B	C	E	F	G	H	J
00	38.6	395.00	232.00	163	98.00	277.00	105.0	390	340
05	42.6	387.15	232.15	155	104.19	270.81	116.9		
10	46.7	394.13	249.13	145	111.86	263.14	128.5		
15	50.9	395.82	260.82	135	121.01	253.99	139.6		
20	55.3	397.08	277.08	120	131.59	243.41	150.2		
25	60.0	404.71	294.71	110	138.65	236.35	165.0	400	350
30	65.1	408.22	323.22	85	146.89	228.11	179.2		
35	70.8	404.52	334.52	70	159.17	215.83	189.6		
40	77.1	400.46	345.46	55	167.30	207.70	204.5		
45	84.5	394.84	345.84	40	179.24	195.76	215.6		

## ■ Specification Table

Catalog No.	Mounting Width (W)	Working Angle (θ)	Working Force (KN)	Return Force N(kgf)	Spring Type PS
CUCMSV	300	00	364.0	29608 (3021.2)	GK GD
		05		29543 (3014.6)	
		10		29475 (3007.6)	
		15		29402 (3000.2)	
		20		29327 (2992.6)	
		25		29250 (2984.7)	
		30		29170 (2976.5)	
		35		29089 (2968.3)	
		40		29007 (2959.9)	
		45		28925 (2951.5)	

## ■ Table of Components

NO.	Description	Q'TY
1	Cam Driver	1
5	Cam Holder	1
6	Base Plate R	1
7	Oilless Plate	2
9	Key	4
11	Key	2
13	Base Plate L	1
14	Stopper Plate	1
15	Stopper	2
17	Safety Plate	2
18	Lock Block	1
19	Bolt	1
20	Nut	1
21	Cam Slider	1
22	Spring Guide	1
23	Gas Spring Guide	1
24	Slide Plate	2
26	Slide Plate	2
27	Slide Plate	2
28	Slide Plate	2
29	Positive Return Plate	2
36	Cam Slider Guide	1
41	Gas Spring	2

## ■ Spring Specification

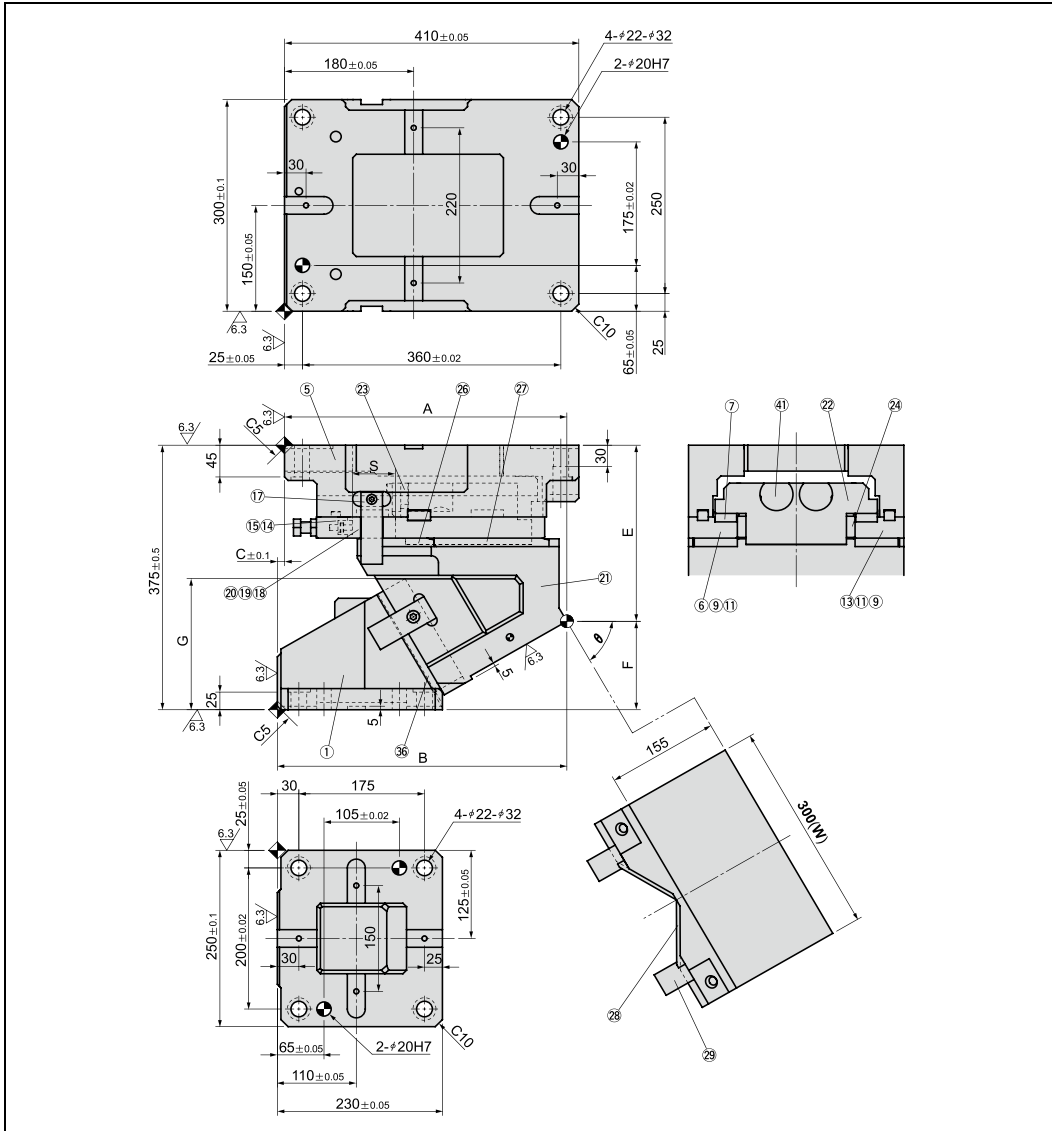
Spring (PS)	θ	Spring Force N(kgf)		Model
		Initial	Final	
GD	00~45	-	20700 (2112.2)	U.0800.080.TO (DADCO)
GK		-	21550 (2199.0)	X750-080-TD (KALLER)



Order

Catalog No.	(W)	-	θ	-	PS
CUCMSV	300	-	25	-	GD

## CUCMSV 300 (50~75)



$\theta$	Travel	A	B	C	E	F	G	S
50	93.3	393.35	376.35	17	196.04	178.96	194.8	60
55	104.6	393.35	393.35	0	222.75	152.25	188.8	
60	120.0	393.35	403.35	-10	249.61	125.39	182.3	
65	94.6	387.48	415.48	-28	266.49	108.51	185.4	40
70	73.1	378.65	423.65	-45	281.99	93.01	189.2	25
75	96.6	364.72	429.72	-65	296.88	78.12	193.0	

## ■ Specification Table

Catalog No.	Mounting Width (W)	Working Angle ( $\theta$ )	Working Force (KN)	Return Force N(kgf)	Spring Type PS
CUCMSV	300	50	284.0	28842 (2943.1)	GK GD
		55		31364 (3200.4)	
		60		34665 (3537.2)	
		65		37172 (3793.0)	
		70		40388 (4121.2)	
		75		48308 (4929.4)	

## ■ Table of Components

NO.	Description	Q'TY
1	Cam Driver	1
5	Cam Holder	1
6	Base Plate R	1
7	Oilless Plate	2
9	Key	4
11	Key	2
13	Base Plate L	1
14	Stopper Plate	1
15	Stopper	2
17	Safety Plate	2
18	Lock Block	1
19	Bolt	1
20	Nut	1
21	Cam Slider	1
22	Spring Guide	1
23	Gas Spring Guide	1
24	Slide Plate	2
26	Slide Plate	2
27	Slide Plate	2
28	Slide Plate	2
29	Positive Return Plate	2
36	Cam Slider Guide	1
41	Gas Spring	2

## ■ Spring Specification

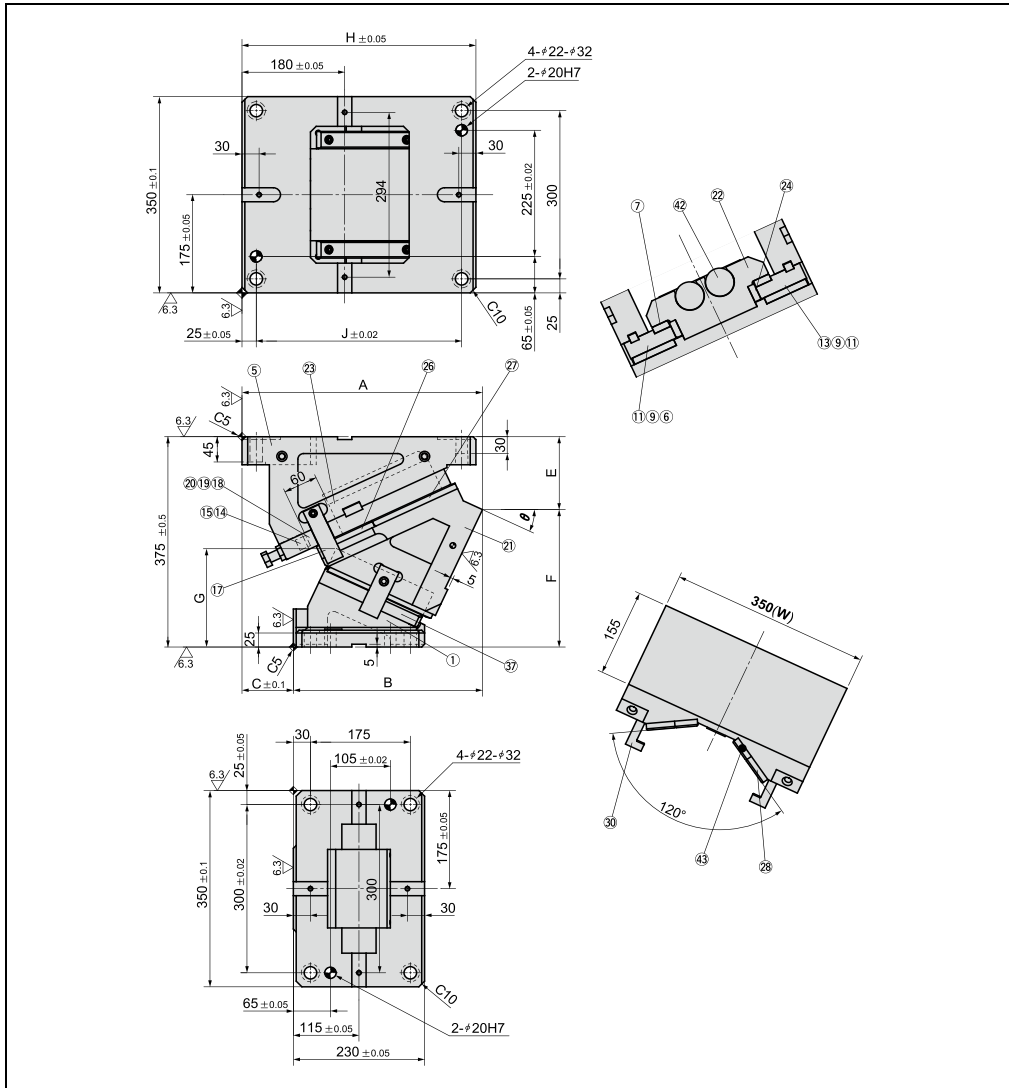
Spring (PS)	$\theta$	Spring Force N(kgf)		Model
		Initial	Final	
GD	50~60	-	20700 (2112.2)	U.0800.080.TO (DADCO)
GK			21550 (2199.0)	X750-080-TD (KALLER)
GD	65	-	22720 (2318.4)	U.0800.063.TO (DADCO)
GK			21378 (2080.3)	X750-063-TD (KALLER)
GD	70~75	-	19200 (1959.2)	U.0800.050.TO (DADCO)
GK			19200 (1959.2)	X750-050-TD (KALLER)



Order 

Catalog No.	(W)	-	$\theta$	-	PS
CUCMSV	300	-	60	-	GD

## CUCMSV 350 (00~45)



$\theta$	Travel	A	B	C	E	F	G	H	J
00	38.6	395.00	235.00	160	85.00	290.00	117.5	390	340
05	42.6	409.62	254.62	155	95.02	279.98	126.0		
10	46.7	414.52	274.52	140	104.67	270.33	136.1		
15	50.9	408.60	293.60	115	113.76	261.24	147.7		
20	55.3	422.92	312.92	110	122.21	252.79	160.8	410	360
25	60.0	421.53	331.53	90	129.96	245.04	175.3		
30	65.1	418.50	348.50	70	136.94	238.06	191.2		
35	70.8	415.89	365.89	50	153.12	221.88	198.2		
40	77.1	410.78	380.78	30	168.43	206.57	206.2		
45	84.5	405.25	395.25	10	182.84	192.16	215.1		

## ■ Specification Table

Catalog No.	Mounting Width (W)	Working Angle (θ)	Working Force (KN)	Return Force N(kgf)	Spring Type PS
CUCMSV	350	00	405.0	42142 (4300.2)	GK GD
		05		42067 (4292.6)	
		10		41988 (4284.5)	
		15		41904 (4275.9)	
		20		41816 (4266.9)	
		25		41725 (4257.7)	
		30		41632 (4248.2)	
		35		41537 (4238.5)	
		40		41442 (4228.7)	
		45		41346 (4218.9)	

## ■ Table of Components

NO.	Description	Q'TY
1	Cam Driver	1
5	Cam Holder	1
6	Base Plate R	1
7	Oilless Plate	2
9	Key	4
11	Key	2
13	Base Plate L	1
14	Stopper Plate	1
15	Stopper	4
17	Safety Plate	2
18	Lock Block	1
19	Bolt	1
20	Nut	1
21	Cam Slider	1
22	Spring Guide	1
23	Gas Spring Guide	1
24	Slide Plate	2
26	Slide Plate	2
27	Slide Plate	2
28	Slide Plate	2
29	Positive Return Plate	2
36	Cam Slider Guide	1
41	Gas Spring	2
43	Slide Plate	2

## ■ Spring Specification

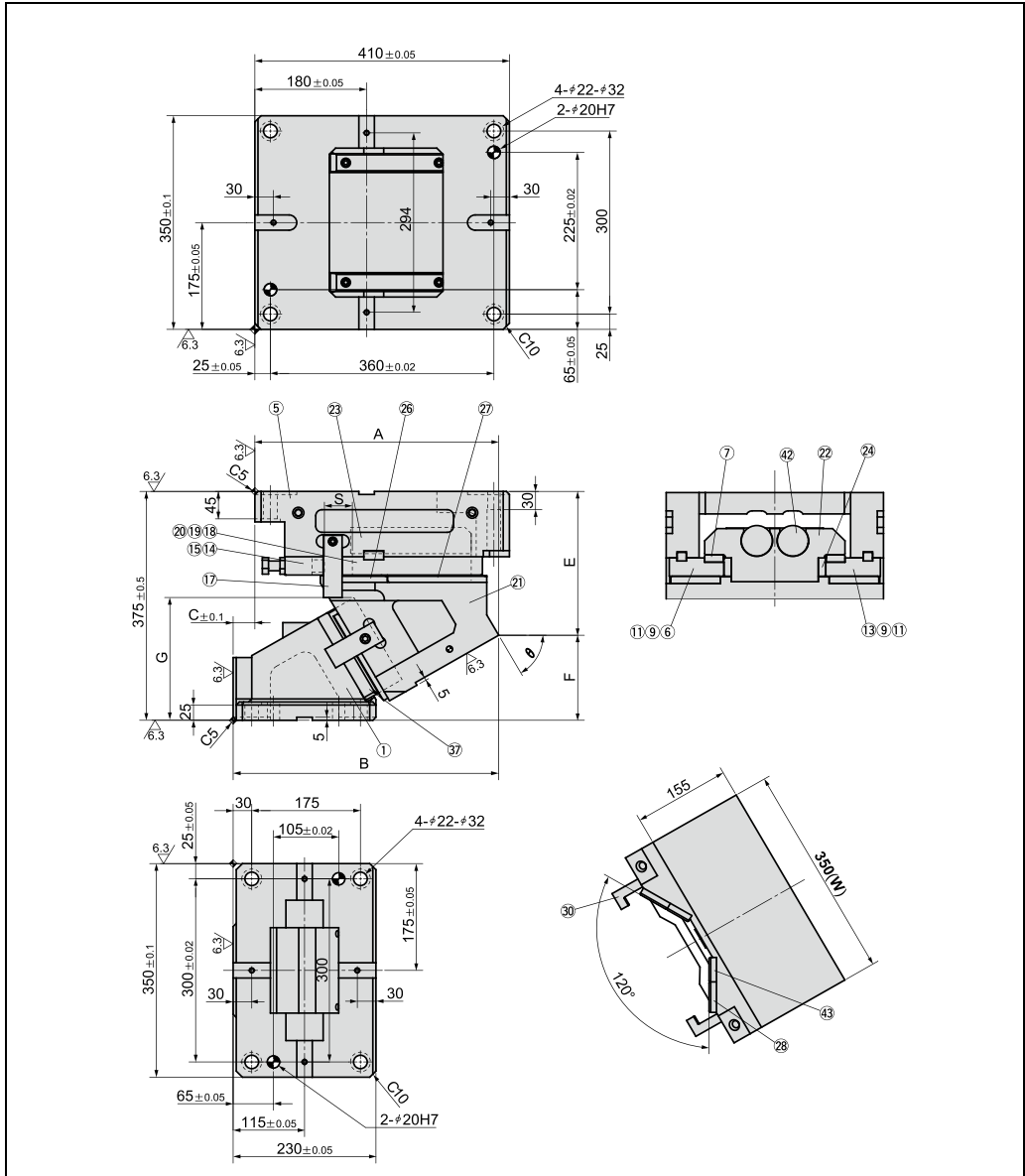
Spring (PS)	θ	Spring Force N(kgf)		Model
		Initial	Final	
GD	00~45	-	31225 (3186.2)	U.1200.080.TO (DADCO)
GK		-	26800 (2734.7)	X1000-080-TD (KALLER)



Order 

Catalog No.	(W)	-	θ	-	PS
CUCMSV	350	-	25	-	GD

## CUCMSV 350 (50~75)



$\theta$	Travel	A	B	C	E	F	G	S
50	93.3	397.37	407.37	-10	201.32	173.68	219.8	60
55	87.2	398.61	418.61	-20	214.69	160.31	200.6	
60	90.0	392.76	427.76	-35	235.67	139.33	200.3	
65	94.6	398.83	438.83	-40	255.31	119.69	200.9	40
70	87.7	394.78	444.78	-50	274.53	100.47	201.2	
75	96.6	394.55	449.55	-55	295.21	79.79	199.4	25

## ■ Specification Table

Catalog No.	Mounting Width (W)	Working Angle (θ)	Working Force (KN)	Return Force N(kgf)	Spring Type PS
CUCMSV	350	50	405.0	41250 (4209.2)	GK GD
		55		43059 (4393.7)	
		60		48747 (4974.1)	
		65		52806 (5388.3)	
		70		59962 (6118.6)	
		75		67961 (6934.8)	

## ■ Table of Components

NO.	Description	Q'TY
1	Cam Driver	1
5	Cam Holder	1
6	Base Plate R	1
7	Oilless Plate	2
9	Key	4
11	Key	2
13	Base Plate L	1
14	Stopper Plate	1
15	Stopper	4
17	Safty Plate	2
18	Lock Block	1
19	Bolt	1
20	Nut	1
21	Cam Slider	1
22	Spring Guide	1
23	Gas Spring Guide	1
24	Slide Plate	2
26	Slide Plate	2
27	Slide Plate	2
28	Slide Plate	2
29	Positive Return Plate	2
36	Cam Slider Guide	1
41	Gas Spring	2
43	Slide Plate	2

## ■ Spring Specification

Spring (PS)	θ	Spring Force N(kgf)		Model
		Initial	Final	
GD	50	-	31225 (3186.2)	U.1200.080.TO (DADCO)
GK			26800 (2734.7)	X1200-080-TD (KALLER)
GD	55	-	30107 (3072.1)	U.1200.075.TO (DADCO)
GK			25733 (2625.8)	X1000-075-TD (KALLER)
GD	60	-	30746 (3137.3)	U.1200.063.TO (DADCO)
GK			26257 (2679.3)	X1000-063-TD (KALLER)
GD	65	-	29681 (3028.7)	U.12000.063.TO (DADCO)
GK			25384 (2590.2)	X1000-063-TD (KALLER)
GD	70	-	29212 (2980.8)	U.12000.050.TO (DADCO)
GK			24880 (2538.8)	X1000-050-TD (KALLER)
GD	75	-	27870 (2843.9)	U.1200.050.TO (DADCO)
GK			23800 (2428.6)	X1000-050-TD (KALLER)



Order **Catalog No.** **(W)** - **θ** - **PS**  
**CUCMSV** **350** - **60** - **GD**





## ■ Specification Table

Catalog No.	Mounting Width (W)	Working Angle (θ)	Working Force (KN)	Return Force N(kgf)	Spring Type PS
CUCMSV	400	00	450.0	44337 (4524.1)	GK GD
		05		44248 (4515.1)	
		10		44154 (4505.5)	
		15		44055 (4495.4)	
		20		43951 (4484.8)	
		25		43844 (4473.9)	
		30		43734 (4462.6)	
		35		43621 (4451.2)	
		40		43508 (4439.6)	
		45		43395 (4428.0)	

## ■ Table of Components

NO.	Description	Q'TY
1	Cam Driver	1
5	Cam Holder	1
6	Base Plate R	1
7	Oilless Plate	2
9	Key	2
11	Key	4
13	Base Plate L	1
14	Stopper Plate	1
15	Stopper	4
17	Safety Plate	2
18	Lock Block	1
19	Bolt	1
20	Nut	1
21	Cam Slider	1
22	Spring Guide	1
23	Gas Spring Guide	1
24	Slide Plate	2
26	Slide Plate	2
27	Slide Plate	2
28	Slide Plate	4
30	Positive Return Plate	2
37	Cam Slider Guide	1
42	Gas Spring	2

## ■ Spring Specification

Spring (PS)	θ	Spring Force N(kgf)		Model
		Initial	Final	
GD	00~45	-	31050 (3168.4)	U.0800.080.TO (DADCO)
GK		-	32325 (3298.5)	X7500-080-TD (KALLER)



Order **Catalog No.** (W) - θ - PS  
**CUCMSV 400 - 25 - GD**