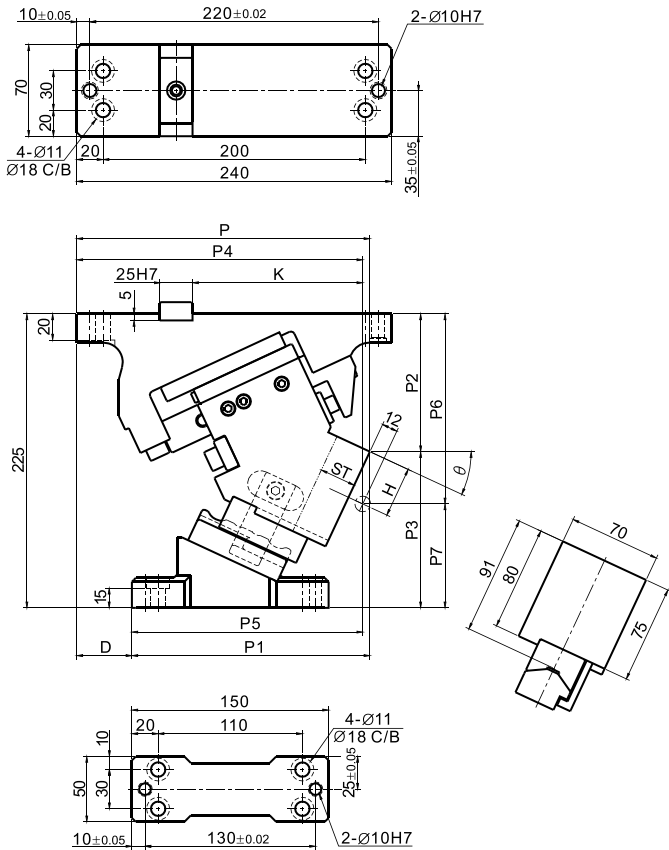


CUCMSNR 70



Return Spring

GD : C180-38 (DADCO)
 GK : M150-38.1 (KALLER)
 ISO : TL25-115 Coil Spring

Catalog No.	Working Face (W)	Stroke (ST)	θ	P	P1	P2	P3	P4	P5	P6	P7	D	K	H
CUCMSNR	70	19.3	0	237.37	135.37	85.00	140.00	249.37	147.37	120	105	102	155.5	35.00
		21.3	5	234.87	142.87	86.28	138.72	243.53	151.53	125	100	92	149.5	37.82
		23.3	10	232.82	151.82	88.76	136.24	237.74	156.74	130	95	81	145.0	39.76
		25.4	15	217.54	160.54	96.59	128.41	219.7	162.67	135	90	57	140.5	36.55
		27.6	20	224.52	172.52	99.67	125.33	222.62	170.62	140	85	52	134.5	38.55
		30.0	25	223.46	181.46	105.45	119.55	218.26	176.26	145	80	42	130.0	38.04
		32.6	30	211.54	181.54	112.99	112.01	204.0	174.03	150	75	30	125.5	35.81
		35.4	35	210.68	193.68	117.20	107.80	198.86	181.86	155	70	17	119.5	37.74
		38.6	40	204.84	200.84	125.07	99.93	191.19	187.19	160	65	4	115.0	35.53
		42.3	45	198.15	200.15	131.28	93.72	181.4	183.4	165	60	-2	110.5	35.68
		46.8	50	190.95	211.95	135.15	89.85	168.08	189.08	170	55	-21	106.0	39.92
		52.3	55	190.51	213.51	146.01	78.99	170.02	193.02	175	50	-23	101.5	33.41
60.0	60	185.81	220.81	155.86	69.14	167.99	202.99	180	45	-35	98.5	27.50		



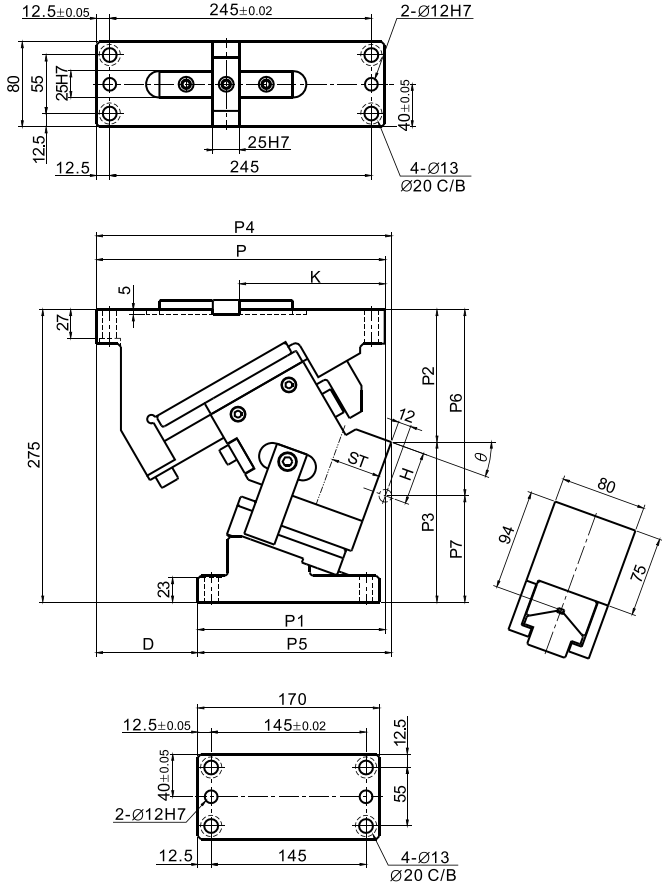
Order CUCMSNR70-10-GD
 CUCMSNR70-30-ISO



Return Spring

GD : C180-50 (DADCO)
 GK : M150-50 (KALLER)
 ISO : TL32-152 Coil Spring

CUCMSNR 80

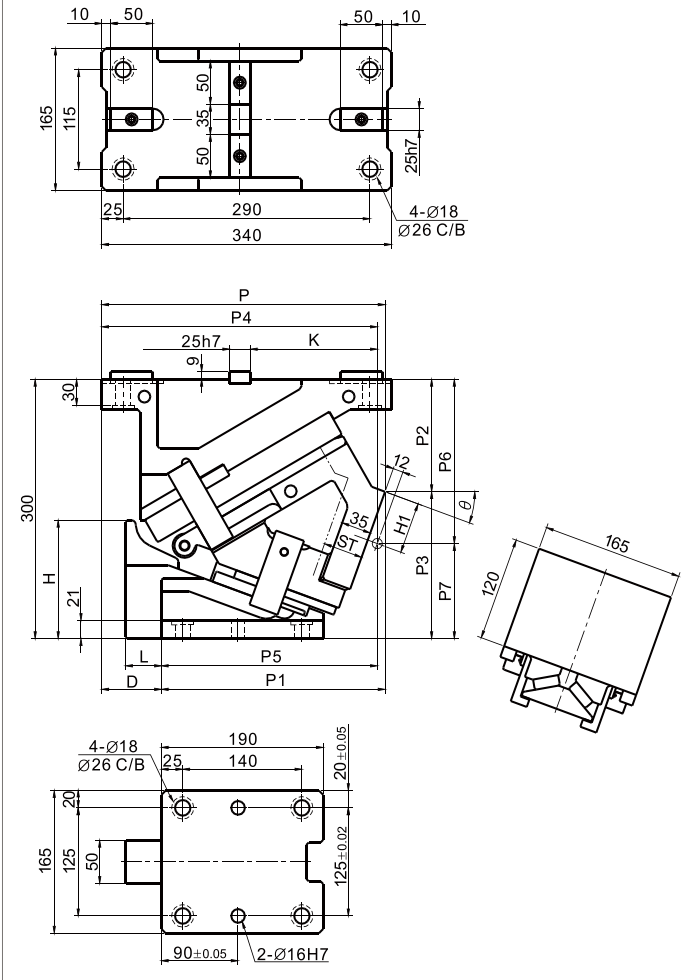


Catalog No.	Working Face (W)	Stroke (ST)	θ	P	P1	P2	P3	P4	P5	P6	P7	D	K	H
CUCMSNR	80	32.10	0	280.00	145.00	110.00	165.00	292.00	157.00	155	120	135	180.0	45.00
		35.50	5	281.31	156.31	115.93	159.07	289.50	164.50	160	115	125	160.0	43.19
		38.90	10	277.50	167.50	117.84	157.16	281.37	171.37	165	110	110	153.0	45.77
		42.40	15	280.48	175.48	120.72	154.28	279.70	174.70	170	105	105	144.0	47.80
		46.10	20	276.16	171.16	124.55	150.45	270.57	175.57	175	100	95	136.5	49.32
		50.00	25	271.47	191.47	129.29	145.71	261.07	181.07	180	95	80	127.5	50.35
		54.30	30	264.33	199.33	134.92	140.08	249.27	184.27	185	90	65	120.0	50.90
		59.00	35	260.66	205.66	141.38	133.62	241.26	186.26	190	85	55	112.5	50.95
		64.30	40	252.32	217.32	147.76	127.24	228.34	193.34	195	80	35	105.0	51.60
		70.45	45	247.46	217.46	156.61	118.39	221.04	191.04	200	75	30	99.0	49.36
		77.80	50	237.80	222.80	165.27	109.73	209.12	194.12	205	70	15	93.0	47.51
		87.20	55	231.36	231.36	174.53	100.47	201.62	201.62	210	65		72.0	44.70
		100.00	60	233.95	233.95	185.89	89.11	207.53	207.53	215	60	0	49.0	37.43



Order CUCMSNR80-10-GD
 CUCMSNR80-30-ISO

CUCMSNR 165



Return Spring

GD : L300.063.138 (DADCO)
 GK : TU250-63.5 (KALLER)
 ISO : TM40-178 Coil Spring

N : Ø16H7 Dowel hole is drilled on the cam holder.

Catalog No.	Working Face (W)	Stroke (ST)	θ	P	P1	P2	P3	P4	P5	P6	P7	D	K	H	H1	L
CUCMSNR	165	32.10	0	335.84	207.84	96.98	202.03	347.84	219.84	170	130	128	180.5	80	73.02	55
		35.50	5	335.25	222.25	100.91	199.09	340.82	277.82	175	125	113	173.0	98	73.32	
		38.90	10	337.27	236.27	111.09	188.91	337.30	236.30	180	120	101	165.5	109	67.86	
		42.40	15	329.78	249.78	122.47	177.53	325.45	245.45	185	115	80	156.5	120	61.53	
		46.10	20	332.68	262.68	129.99	170.01	323.61	253.61	190	110	70	149.0	137	59.49	
		50.00	25	332.88	274.88	138.62	161.38	319.83	261.83	195	105	58	140.0	154	56.61	
		54.30	30	334.28	286.28	148.28	151.72	315.39	267.39	205	95	48	132.5	170	58.57	
		59.00	35	329.80	296.80	158.89	141.11	305.16	272.16	215	85	33	125.0	187	60.10	
		64.30	40	321.35	306.35	170.38	129.62	291.18	276.18	225	75	15	117.5	204	61.23	
		70.45	45	314.86	314.86	182.66	117.34	279.49	279.49	235	65	0	111.5	220	62.02	
		77.80	50	307.27	322.27	195.63	104.37	267.10	282.10	245	55	-15	105.5	-	62.51	
		87.20	55	296.59	328.59	210.30	89.70	253.67	285.67	255	45	-32	120.0	-	60.97	
		100.00	60	288.56	333.56	222.26	77.74	238.54	283.54	265	35	-45	113.0	-	64.69	



Order CUCMSNR125-15-GD
 CUCMSNR125-30-ISO



CUCMSNR 200

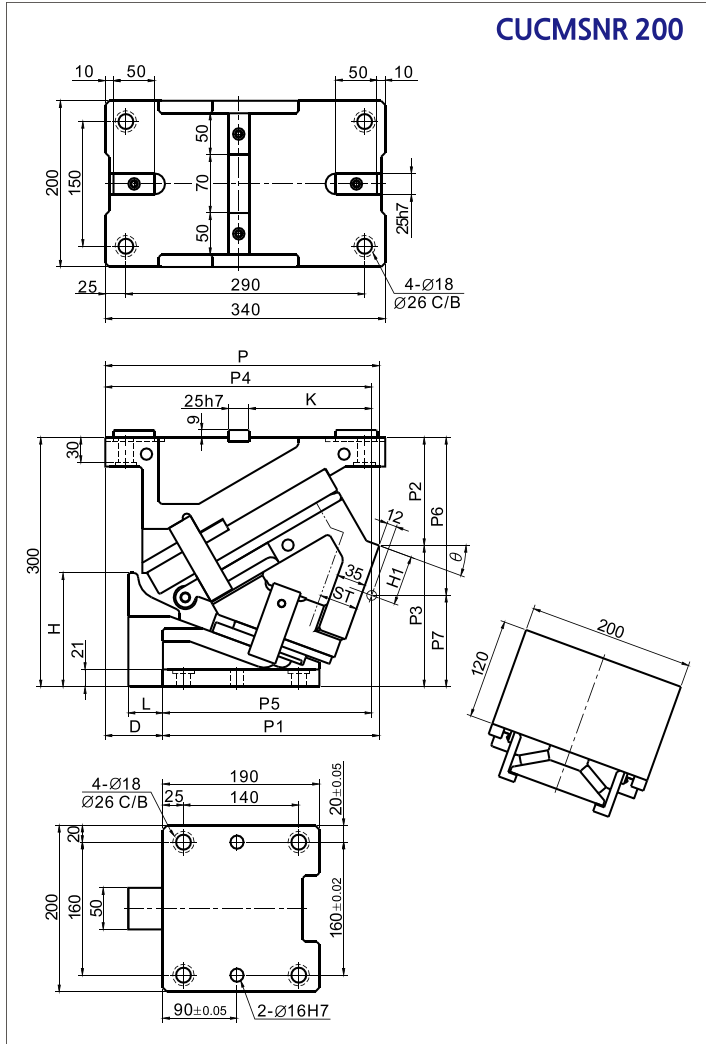
Return Spring

GD : L500.063.138 (DADCO)

GK : K500-63.5 (KALLER)

ISO : TM50-178 Coil Spring

N : $\varnothing 16H7$ Dowel hole is drilled on the cam holder.

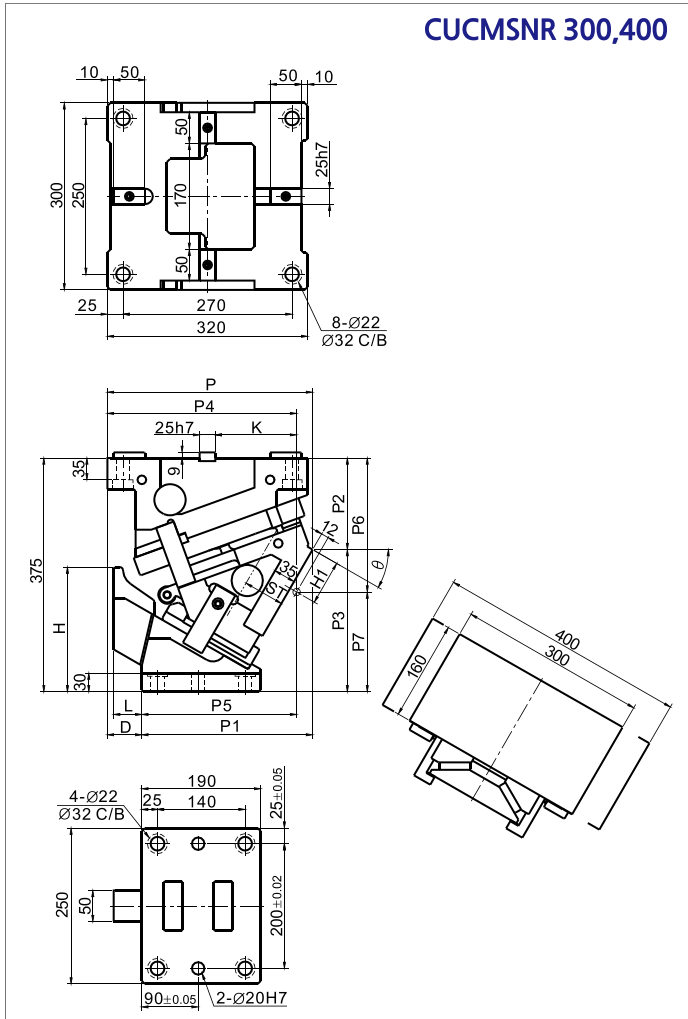


Catalog No.	Working Face (W)	Stroke (ST)	θ	P	P1	P2	P3	P4	P5	P6	P7	D	K	H	H1	L
CUCMSNR	200	32.10	0	335.84	207.84	96.98	202.03	347.84	219.84	170	130	128	180.5	80	73.02	55
		35.50	5	335.25	222.25	100.91	199.09	340.82	277.82	175	125	113	173.0	98	73.32	
		38.90	10	337.27	236.27	111.09	188.91	337.30	236.30	180	120	101	165.5	109	67.86	50
		42.40	15	329.78	249.78	122.47	177.53	325.45	245.45	185	115	80	156.5	120	61.53	45
		46.10	20	332.68	262.68	129.99	170.01	323.61	253.61	190	110	70	149.0	137	59.49	42
		50.00	25	332.88	274.88	138.62	161.38	319.83	261.83	195	105	58	140.0	154	56.61	37
		54.30	30	334.28	286.28	148.28	151.72	315.39	267.39	205	95	48	132.5	170	58.57	30
		59.00	35	329.80	296.80	158.89	141.11	305.16	272.16	215	85	33	125.0	187	60.10	
		64.30	40	321.35	306.35	170.38	129.62	291.18	276.18	225	75	15	117.5	204	61.23	25
		70.45	45	314.86	314.86	182.66	117.34	279.49	279.49	235	65	0	111.5	220	62.02	
		77.80	50	307.27	322.27	195.63	104.37	267.10	282.10	245	55	-15	105.5		62.51	
		87.20	55	296.59	328.59	210.30	89.70	253.67	285.67	255	45	-32	120.0		60.97	
100.00	60	288.56	333.56	222.26	77.74	238.54	283.54	265	35	-45	113.0		64.69			



Order CUCMSNR200-15-GD
CUCMSNR200-30-ISO

CUCMSNR 300,400



Return Spring

GD : L500.075.138 (DADCO)
 GK : K500-80 (KALLER)
 ISO : TM50-203 Coil Spring

N : Ø16H7 Dowel hole is drilled on the cam holder.

N20 : Dowel pin holes of cam holder are changed to Ø20

Catalog No.	Working Face (W)	Stroke (ST)	θ	P	P1	P2	P3	P4	P5	P6	P7	D	K	H	H1	L
CUCMSNR	300 400	38.60	0	313.00	175.00	98.00	277.00	325.00	187.00	180	195	139	193.0	114	82.00	55
		42.60	5	317.15	192.15	104.19	270.81	322.13	197.13	185	190	125	182.5	127	80.07	
		46.70	10	324.13	209.13	111.86	263.14	322.54	207.54	190	185	115	172.0	139	77.23	
		50.90	15	325.82	225.82	121.01	253.99	318.41	218.41	195	180	100	161.5	152	73.39	
		55.30	20	327.08	242.08	131.59	243.41	314.95	229.95	200	175	85	151.0	164	68.43	
		60.00	25	334.71	259.71	138.65	236.35	317.01	242.01	205	170	75	140.5	182	67.61	
		65.10	30	327.83	272.83	146.89	228.11	302.36	247.36	215	160	55	130.0	200	71.71	
		70.80	35	334.51	289.51	159.17	215.83	303.07	258.07	225	150	45	121.0	216	71.96	
		77.10	40	325.46	300.46	167.30	207.70	284.32	259.32	235	140	25	112.0	237	78.30	
		84.50	45	324.84	317.84	179.24	195.76	276.04	269.04	245	130	7	103.0	256	81.01	
		79.30	50	306.63	341.63	196.84	178.16	244.08	279.08	265	110	-35	94.0		91.73	
		88.90	55	277.93	362.93	229.29	145.71	219.29	304.29	285	90	-85	86.5		79.99	
		102.00	60	286.45	371.45	245.64	129.36	216.29	301.29	300	75	-85	79.0		87.94	



Order CUCMSNR300-15-GD-N
 CUCMSNR400-30-ISO