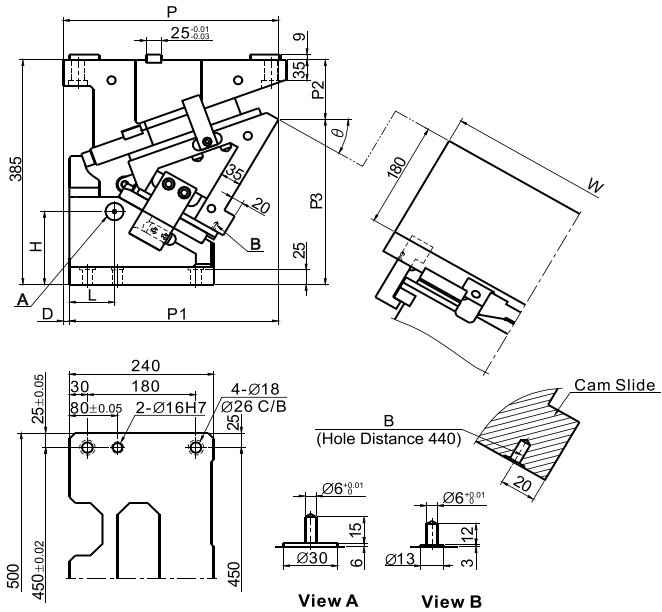
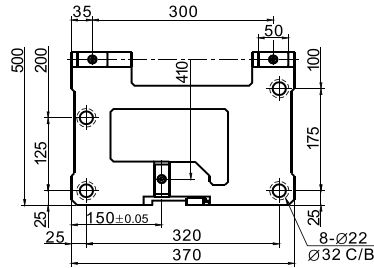




### Return Spring

GD : L70.075.TO.140 (DADCO)  
GK : K750-80-TD (KALLER)

## CUCMSL 500,600

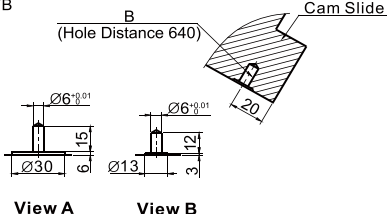
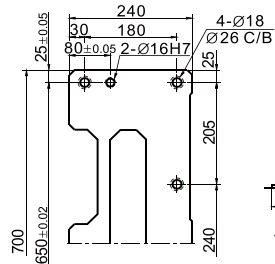
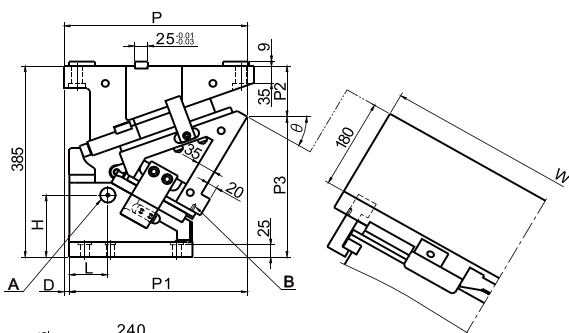
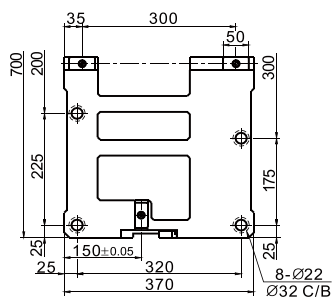


Catalog No.	Working Face (W)	Stroke (ST)	$\theta$	P	P1	P2	P3	D	H	L	
CUCMSL	500 600	38.6	0	323.00	228.00	57.00	328.00	95	55	75	
		42.6	5	329.58	249.58	58.64	326.36	80	70		
		46.7	10	335.94	270.94	62.16	322.84	65	80		
		50.9	15	341.91	291.91	67.52	317.48	50	95		
		55.3	20	347.34	312.34	74.69	310.31	35	110		
		60	25	347.06	332.06	83.62	301.38	15	120		
		65.1	30	350.93	350.93	104.23	280.77	0	125		
		70.8	35	353.80	368.80	116.44	268.56	-15	135		
		77.1	40	355.54	385.54	130.16	254.84	-30	140		100
		84.5	45	361.02	401.02	145.29	239.71	-40	160		
		93.3	50	355.12	415.12	161.72	223.28	-60	160		110
		104.6	55	367.74	427.74	179.31	205.69	-60	180		
120	60	378.77	438.77	197.93	187.07	-60	180	130			



Order CUCMSL500-10  
CUCMSL600-20-GD

## CUCMSL 700,800



### Return Spring

GD : L70.075.TO.140 (DADCO)  
GK : K750-80-TD (KALLER)

Catalog No.	Working Face (W)	Stroke (ST)	θ	P	P1	P2	P3	D	H	L	
CUCMSL	700 800	38.6	0	323.00	228.00	57.00	328.00	95	55	75	
		42.6	5	329.58	249.58	58.64	326.36	80	70		
		46.7	10	335.94	270.94	62.16	322.84	65	80		
		50.9	15	341.91	291.91	67.52	317.48	50	95		
		55.3	20	347.34	312.34	74.69	310.31	35	110		
		60	25	347.06	332.06	83.62	301.38	15	120		
		65.1	30	350.93	350.93	104.23	280.77	0	125		
		70.8	35	353.80	368.80	116.44	268.56	-15	135		
		77.1	40	355.54	385.54	130.16	254.84	-30	140		100
		84.5	45	361.02	401.02	145.29	239.71	-40	160		
		93.3	50	355.12	415.12	161.72	223.28	-60	160		110
		104.6	55	367.74	427.74	179.31	205.69	-60	180		
120	60	378.77	438.77	197.93	187.07	-60	180	130			



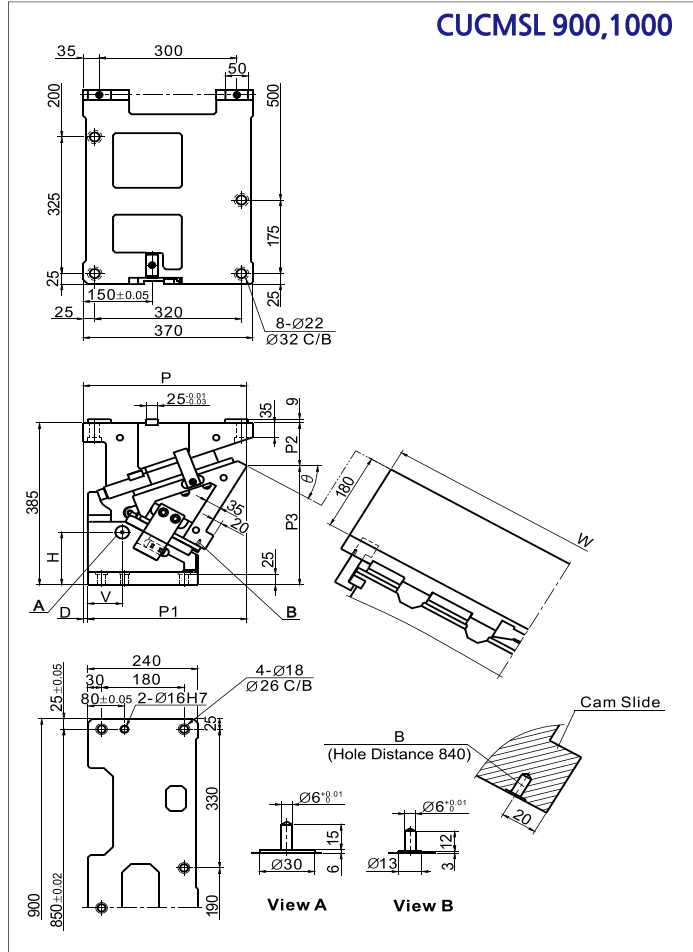
Order CUCMSL700-10  
CUCMSL800-20-GD



■ Return Spring

GD : L70.075.TO.140 (DADCO)  
GK : K750-80-TD (KALLER)

## CUCMSL 900,1000



Catalog No.	Working Face (W)	Stroke (ST)	$\theta$	P	P1	P2	P3	D	H	L	
CUCMSL	900 1000	38.6	0	323.00	228.00	57.00	328.00	95	55	75	
		42.6	5	329.58	249.58	58.64	326.36	80	70		
		46.7	10	335.94	270.94	62.16	322.84	65	80		
		50.9	15	341.91	291.91	67.52	317.48	50	95		
		55.3	20	347.34	312.34	74.69	310.31	35	110		
		60	25	347.06	332.06	83.62	301.38	15	120		
		65.1	30	350.93	350.93	104.23	280.77	0	125		
		70.8	35	353.80	368.80	116.44	268.56	-15	135		
		77.1	40	355.54	385.54	130.16	254.84	-30	140		100
		84.5	45	361.02	401.02	145.29	239.71	-40	160		
		93.3	50	355.12	415.12	161.72	223.28	-60	160	110	
		104.6	55	367.74	427.74	179.31	205.69	-60	180		
120	60	378.77	438.77	197.93	187.07	-60	180	130			



Order

CUCMSL900-10  
CUCMSL1000-20-GD