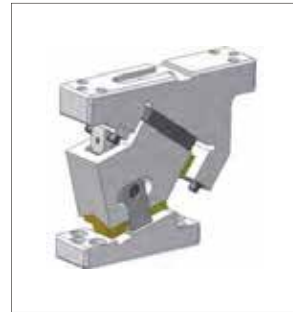
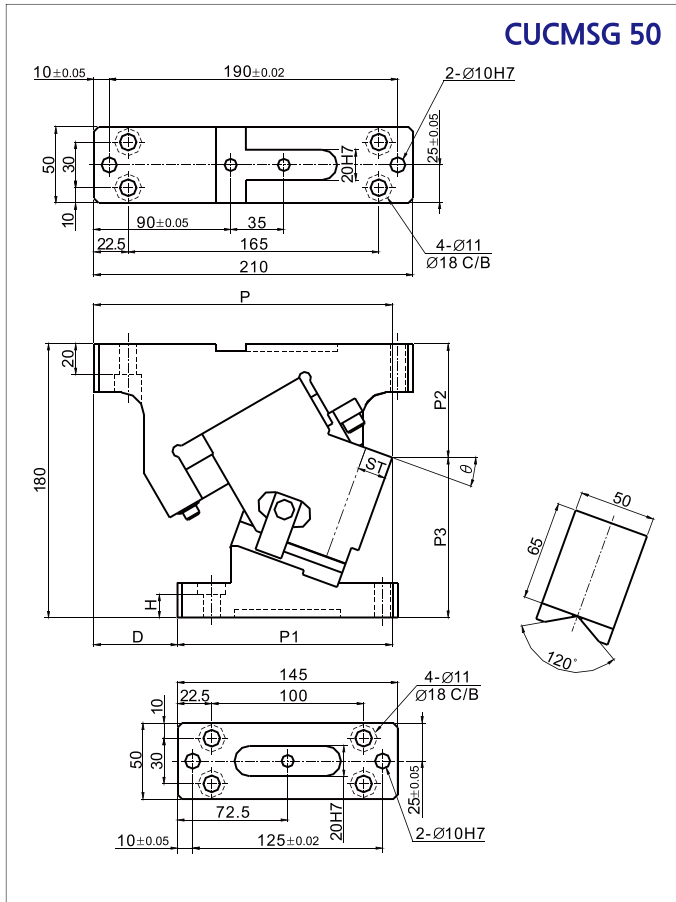


CUCMSG 50



■ Mounting Method

Blank : Drawing Shape

K : Key width 20mm assemble

Catalog No.	Working Face (W)	Stroke (ST)	θ	P	P1	P2	P3	D	H
CUCMSG	50	15.0	0	195.00	115.00	67.50	112.50	80	15
		15.6	5	198.04	123.04	68.29	111.71	75	
		15.6	10	195.99	130.99	69.77	110.23	65	
		17.0	15	198.77	133.77	71.95	108.05		
		18.4	20	196.34	141.34	74.79	105.21	55	
		18.0	25	191.62	150.62	80.28	99.72	41	
		17.4	30	190.58	150.58	85.39	97.61	40	
		18.9	35	187.15	162.15	90.10	89.90	25	
		20.6	40	183.29	160.79	95.35	84.65	22.5	
		22.5	45	179.94	169.94	98.13	81.87	10	
		23.3	50	174.07	169.07	99.37	80.63	5	
		26.1	55	168.64	183.64	111.04	68.96	-15	10
		31.5	60	162.61	187.61	118.08	61.92	-25	
		36.6	65	155.95	190.95	125.44	54.56	-35	
39.5	70	153.63	193.63	133.06	46.94	-40			



Order CUCMSG50-05-K
CUCMSG50-20-KA -N13

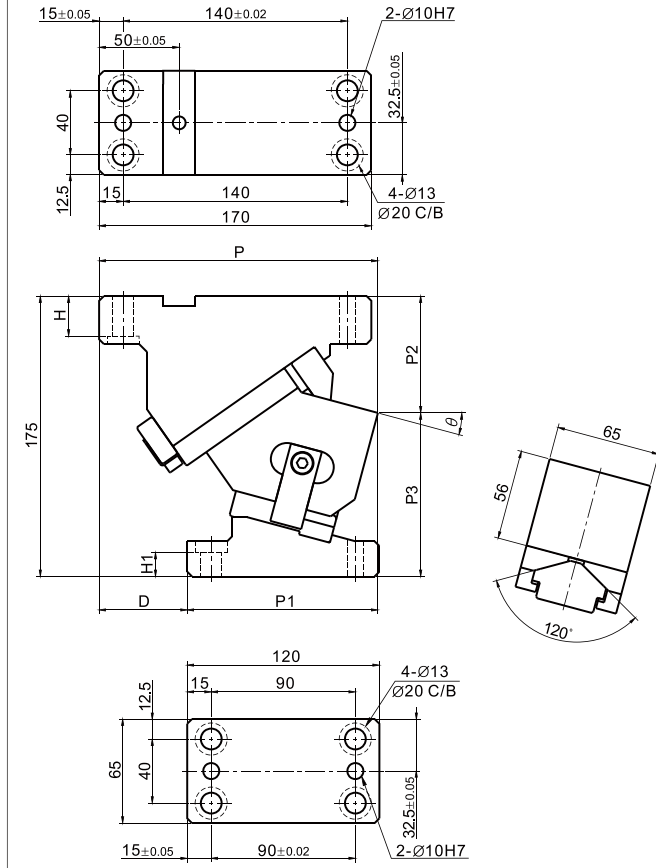


■ Mounting Method

Blank : Drawing Shape

K : Key width 20mm assemble

CUCMSG 65

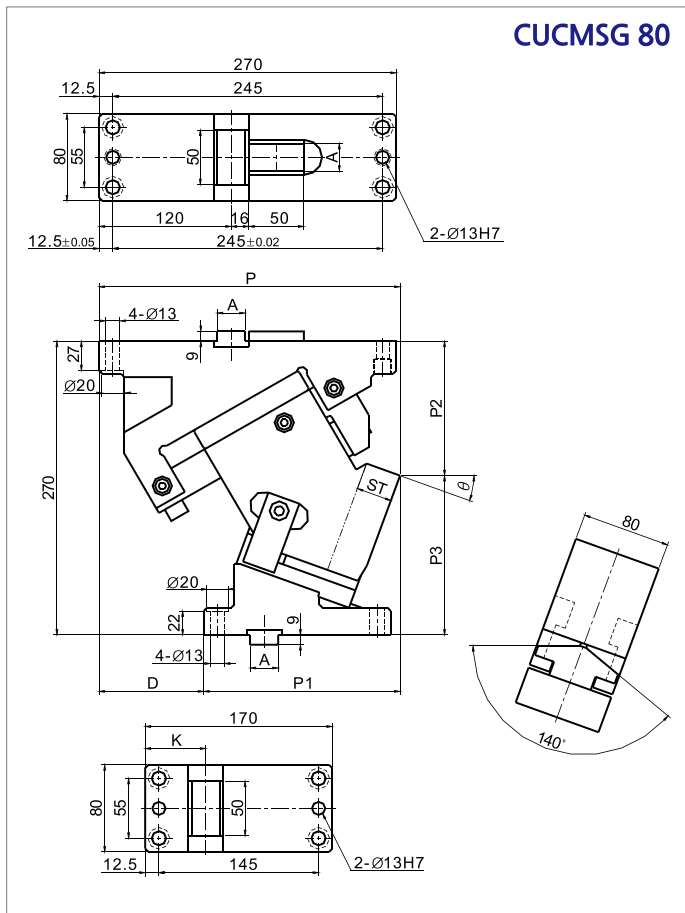


Catalog No.	Working Face (W)	Stroke (ST)	θ	P	P1	P2	P3	D	H	H1
CUCMSG	65	15.0	0	170.00	100.00	60.00	115.00	70	25	15
		15.6	5	170.36	105.36	67.22	107.78	65		
		15.6	10	175.07	112.57	69.88	105.12	62.5		
		17.0	15	174.09	119.09	72.92	102.08	55		
		18.4	20	172.40	127.40	76.28	98.72	45		
		19.5	30	171.78	136.78	83.71	91.29	35		
		23.1	40	163.07	143.07	91.63	83.37	20	15	
		24.9	50	156.22	151.22	104.50	70.50	5		
		32.0	60	146.29	161.29	116.78	58.22	-15		



Order CUCMSG65-10
CUCMSG65-30-K

CUCMSG 80



■ Mounting Method

Blank : Drawing Shape

K : Key width 20mm assemble

N12 : Dowel pin hole of cam holder and cam driver ae changed to Ø12.

Catalog No.	Working Face (W)	Stroke (ST)	θ	P	P1	P2	P3	D	K
CUCMSG	80	30.2	0	277.00	142.00	110.00	160.00	135	65
		30.5	5	278.32	153.32	115.67	154.33	125	
		31.1	10	274.54	164.54	117.32	152.68	110	
		33.9	15	277.58	172.58	119.95	150.05	105	
		32.3	20	273.34	178.34	123.52	146.48	95	55
		35.0	25	268.75	188.75	128.03	141.97	80	
		34.7	30	261.73	196.73	133.42	136.58	65	60
		37.7	35	258.20	203.20	139.66	130.34	55	
		39.9	40	245.09	210.09	146.70	123.30	35	50
		43.7	45	245.34	215.34	154.49	115.51	30	
		46.7	50	255.87	220.87	162.97	107.03	5	
		53.8	55	229.64	229.64	172.07	97.93	0	
		64.1	60	208.58	228.58	181.73	88.27	-20	50
		70.9	65	203.67	233.67	191.87	78.13	-30	



Order CUCMSG80-10
CUCMSG80-20-K
CUCMSG80-30-N12



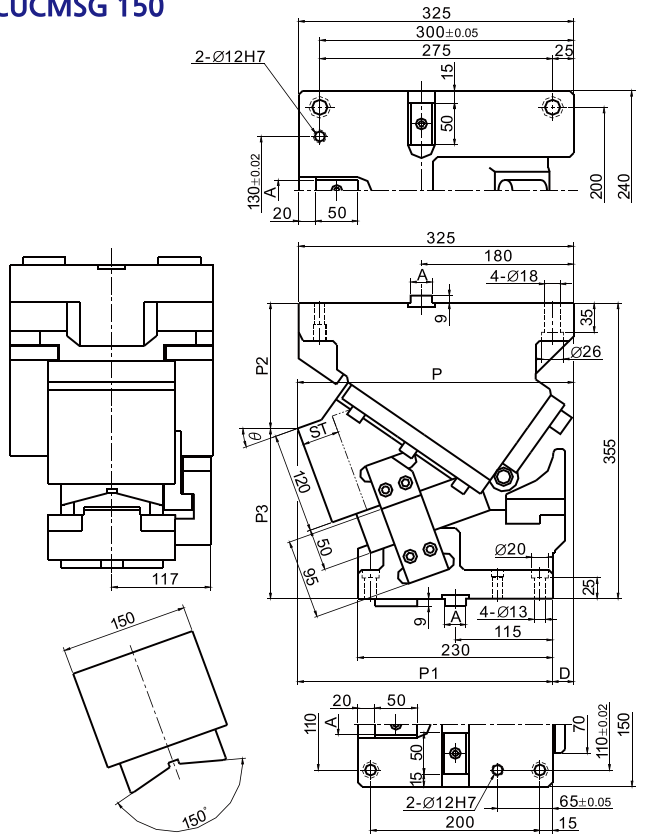
■ Mounting Method

Blank : Drawing Shape

K : Key width 20mm assemble

N12 : Dowel pin hole of cam holder and cam driver are changed to $\varnothing 13$.

CUCMSG 150

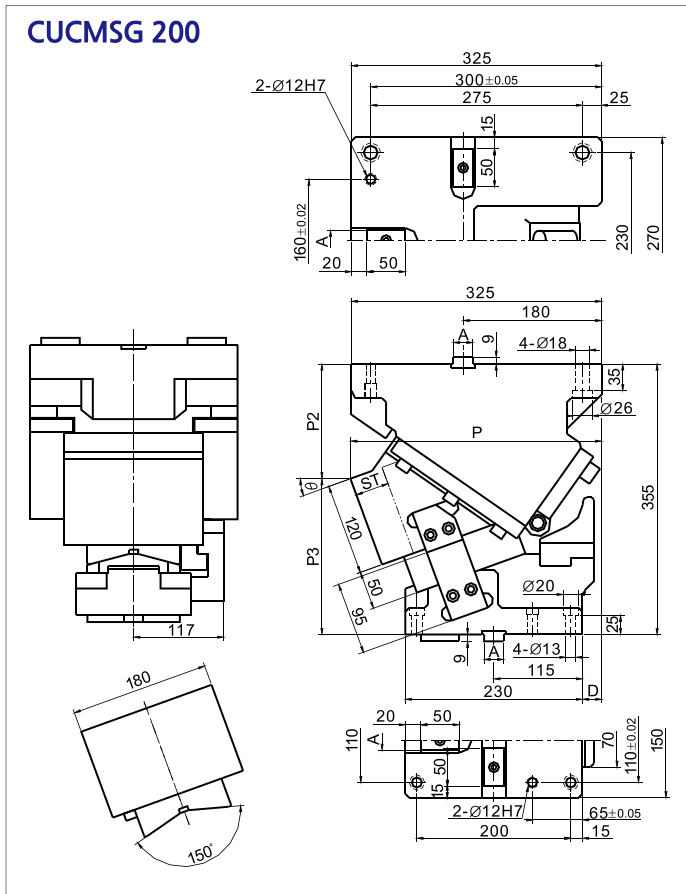


Catalog No.	Working Face (W)	Stroke (ST)	θ	P	P1	P2	P3	D
CUCMSG	150	28.7	0	325.00	245.00	130.00	225.00	80
		32.3	5	319.70	259.70	133.26	221.74	60
		35.9	10	319.06	274.06	137.79	217.21	45
		39.7	15	322.98	287.98	143.56	211.44	35
		43.6	20	326.33	301.33	150.51	204.49	25
		47.8	25	329.03	214.03	158.61	196.39	15
		52.3	30	325.98	325.98	167.78	187.22	0
		57.4	35	322.08	337.08	192.95	162.05	-15
		63.0	40	312.26	347.26	204.06	150.94	-35
		69.6	45	306.42	356.42	216.01	138.99	-50
		77.5	50	294.51	364.51	228.71	126.29	-70
		87.2	55	281.46	371.46	242.07	112.93	-90
		99.6	60	272.22	377.22	255.98	99.02	-105
		116.5	65	261.75	381.75	270.34	84.66	-120



Order CUCMSG150-20
CUCMSG150-30-K

CUCMSG 200



■ Mounting Method

Blank : Drawing Shape

K : Key width 20mm assemble

N12 : Dowel pin hole of cam holder and cam driver are changed to Ø13.

Catalog No.	Working Face (W)	Stroke (ST)	θ	P	P1	P2	P3	D
CUCMSG	200	28.7	0	325.00	245.00	130.00	225.00	80
		32.3	5	319.70	259.70	133.26	221.74	60
		35.9	10	319.06	274.06	137.79	217.21	45
		39.7	15	322.98	287.98	143.56	211.44	35
		43.6	20	326.33	301.33	150.51	204.49	25
		47.8	25	329.03	214.03	158.61	196.39	15
		52.3	30	325.98	325.98	167.78	187.22	0
		57.4	35	322.08	337.08	192.95	162.05	-15
		63.0	40	312.26	347.26	204.06	150.94	-35
		69.6	45	306.42	356.42	216.01	138.99	-50
		77.5	50	294.51	364.51	228.71	126.29	-70
		87.2	55	281.46	371.46	242.07	112.93	-90
		99.6	60	272.22	377.22	255.98	99.02	-105
116.5	65	261.75	381.75	270.34	84.66	-120		



Order CUCMSG200-10
CUCMSG200-30-N13



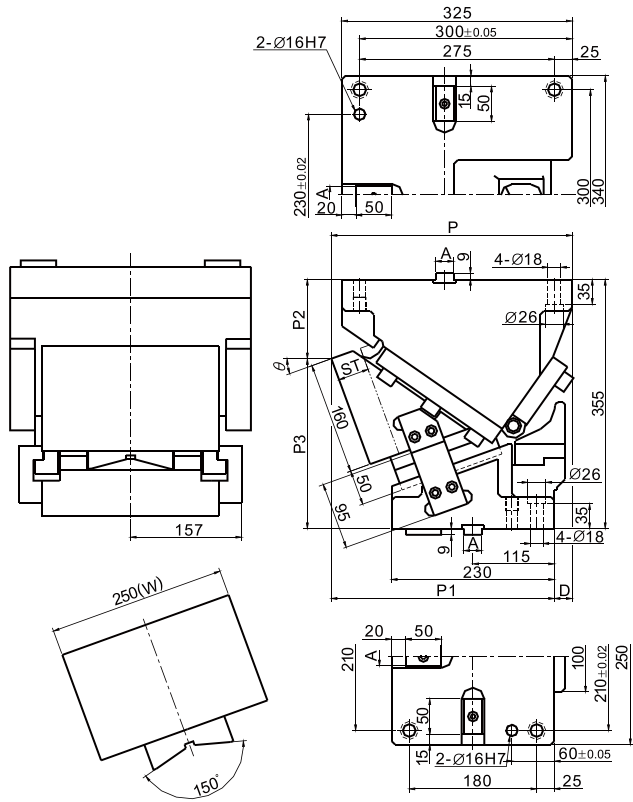
■ Mounting Method

Blank : Drawing Shape

K : Key width 20mm assemble

N12 : Dowel pin hole of cam holder and cam driver are changed to $\varnothing 13$.

CUCMSG 300



Catalog No.	Working Face (W)	Stroke (ST)	θ	P	P1	P2	P3	D
CUCMSG	300	28.7	0	325.00	245.00	90.00	265.00	80
		32.3	5	323.19	263.19	93.41	261.59	60
		35.9	10	326.01	281.01	98.40	256.60	45
		39.7	15	333.33	298.33	104.92	250.08	35
		43.6	20	340.02	315.02	112.93	242.07	25
		47.8	25	345.94	330.94	122.35	232.65	15
		52.3	30	345.98	345.98	133.13	221.87	0
		57.4	35	345.03	360.03	160.19	194.81	-15
		63.0	40	337.97	372.97	173.41	181.59	-35
		69.6	45	334.71	384.71	187.72	167.28	-50
		77.5	50	325.15	395.15	203.00	152.00	-70
		87.2	55	314.23	404.23	219.12	135.88	-90
		99.6	60	306.87	411.87	235.98	119.02	-105
116.5	65	298.00	418.00	253.44	101.56	-120		



Order CUCMSG300-10
CUCMSG300-30-K-N13