



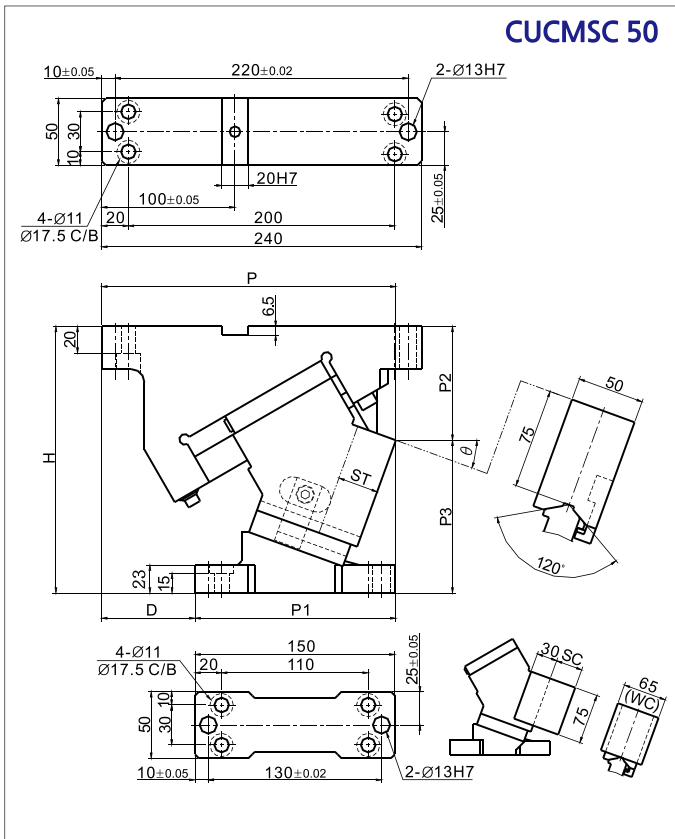
■ Mounting Method

Blank : Drawing Shape
K : Key width 20mm assemble

■ Working Face (Option)

Blank : As drawing
SC : The mount surface is extended forward in the range of from 10 to 60 mm (At a increments of 10 mm)
WC : The mount width is changed to 65 mm.

CUCMSC 50

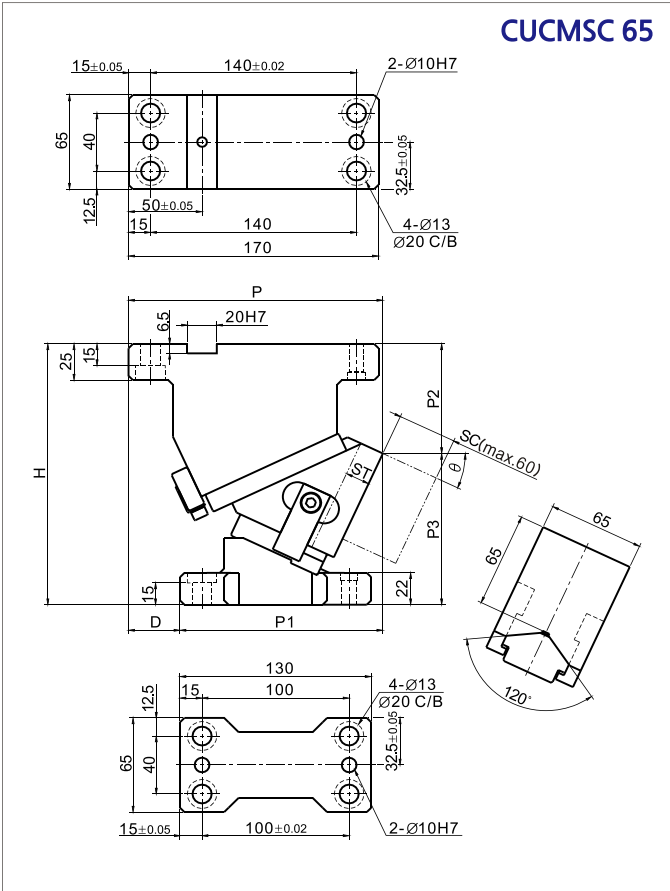


Catalog No.	Working Face (W)	Stroke (ST)	θ	P	P1	P2	P3	D	Q	H	
CUCMSC	50	30.2	0	225.00	118.00	77.50	122.50	107	75	200	
		30.5	5	226.91	126.91	78.33	121.67	100			
		30.3	10	223.72	133.72	79.93	120.07	90			
		30.5	15	224.36	139.36	82.29	117.71	85			
		30.4	20	220.76	150.76	85.39	114.61	70			
		30.0	25	215.85	157.85	89.22	110.78	58			
		32.6	30	213.58	158.58	94.73	105.27	55			
		35.4	35	204.89	169.89	96.90	103.10	35			
		38.6	40	206.72	176.72	102.69	97.31	30			
		42.3	45	202.01	182.01	103.06	96.94	20			
		46.7	50	195.73	185.73	105.94	94.06	10			
		52.1	55	189.83	189.83	116.30	83.70	0			
		59.1	60	179.27	194.27	125.08	74.92	-15			65
		58.3	65	176.60	208.60	126.87	73.13	-32			75
	57.6	70	177.00	215.00	135.83	64.17	-38				



Order CUCMSC50-10
CUCMSC50-25-SC20
CUCMSC50-30-SC20-WC

CUCMSC 65



■ Mounting Method

Blank : Drawing Shape

K : Key width 20mm assemble

■ Working Face (Option)

Blank : Drawing Shape

SC : The mount surface is extended forward in the range of from 10 to 60 mm

(At a increments of 10 mm)

Catalog No.	Working Face (W)	Stroke (ST)	θ	P	P1	P2	P3	D	H
CUCMSC	65	15.0	0	170.00	110.00	53.00	127.00	60	180
		15.1	5	171.41	116.41	60.27	119.73	55	
		15.2	10	177.16	122.16	63.06	116.94	50	
		15.5	15	177.20	127.20	66.33	113.67	40	
		16.5	20	176.51	136.51	70.01	109.99	35	
		17.1	25	172.94	137.94	75.64	104.36	30	
		18.5	30	177.78	147.78	78.32	101.68	20	
		19.6	35	173.29	153.29	83.25	96.75	10	190
		21.5	40	170.78	160.78	82.44	97.56	2.5	
		23.3	45	165.50	163.00	86.51	93.49	-5	
		26.5	50	165.41	170.41	96.79	93.21	-10	210
		29.7	55	159.51	169.51	99.89	89.94	-20	
		35.0	60	156.68	176.68	120.78	90.11	-25	210
		41.4	65	150.33	175.33	122.80	87.20	-25	
51.1	70	146.45	178.45	131.68	78.32	-32			



Order

CUCMSC65-10

CUCMSC65-25-SC20

CUCMSC65-30-SC20-WC



■ Mounting Method

Blank : Drawing Shape

K : Key width 32mm assemble

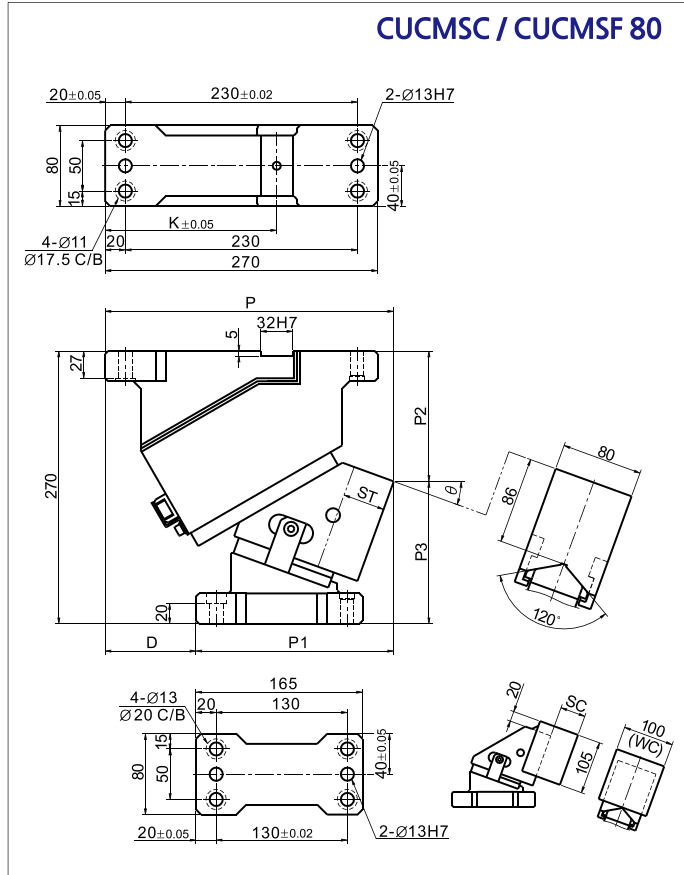
■ Working Face (Option)

Blank : As drawing

SC : The mount surface is extended forward in the range of from 10 to 60 mm

(At a increments of 10 mm)

WC : The mount width is changed to 100 mm.



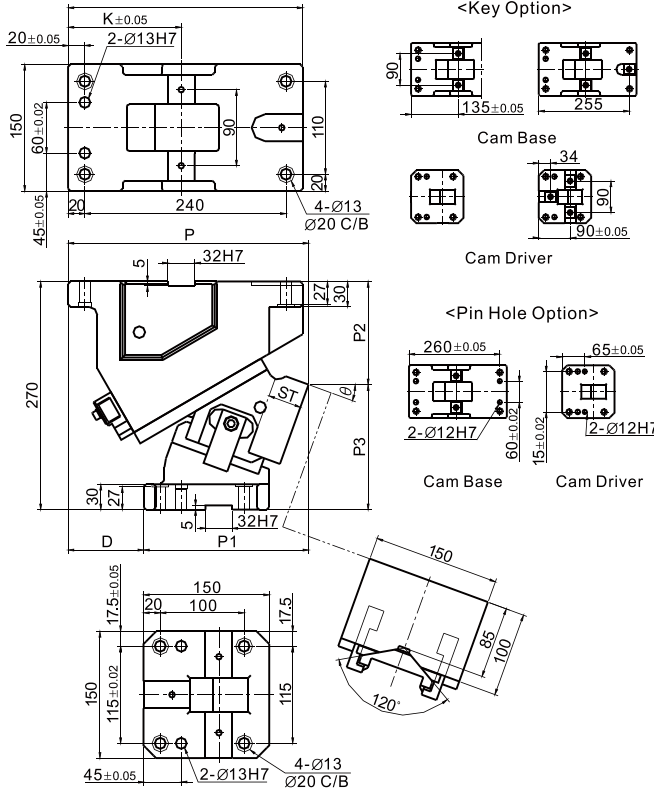
Catalog No.	Working Face (W)	Stroke (ST)	θ	P	P1	P2	P3	D	K
CUCMSC CUCMSF	80	32.1	0	260.00	160.00	99.00	171.00	100	130
		38.4	5	272.93	172.93	109.39	160.61		150
		38.9	10	279.92	179.92	120.43	149.57		
		39.7	15	285.93	185.93	132.04	137.96		
		46.1	20	285.90	195.90	129.12	140.88	90	170
		47.8	25	289.80	199.80	141.60	128.40		
		54.3	30	282.59	207.59	134.36	135.64	75	
		57.4	35	284.27	209.27	147.32	122.68		
		64.3	40	274.80	214.80	140.38	129.62	60	
		69.6	45	274.20	214.20	153.44	116.56		
		77.8	50	262.46	227.46	151.39	118.61	35	
		87.2	55	259.60	224.60	164.14	105.86		
		98.5	60	240.64	240.64	176.59	93.41	0	
		81.6	65	235.61	240.61	188.65	81.34	-5	
86.4	70	227.83	237.83	195.53	74.47	-10			



Order

CUCMSC80-15
CUCMSF80-20-SC40
CUCMSC80-30-SC30-WC

CUCMSC / UCMSF 150



■ Mounting Method

- Blank : Drawing Shape
- K : Key width 32mm assemble
- TK : Center key, Cross Key assemble
- N12 : Dowel pin finished hole for ∅12

Catalog No.	Working Face (W)	Stroke (ST)	θ	P	P1	P2	P3	D	H
CUCMSC CUCMSF	150	32.1	0	280.00	160.00	85.00	185.00	120	100
		32.3	5	288.26	173.26	95.84	174.16	115	
		38.9	10	285.54	180.54	102.36	167.64	105	
		39.7	15	291.79	186.79	114.47	155.53	90	135
		46.1	20	286.97	196.97	122.07	147.93		
		47.8	25	291.02	201.02	135.08	134.92		
		54.3	30	283.92	213.92	138.40	131.60	70	45
		57.4	35	285.66	215.66	151.91	118.09		
		64.3	40	276.20	231.20	155.53	114.47		
		69.6	45	275.56	230.56	169.14	100.86	25	170
		77.8	50	263.74	238.74	167.65	102.35		
		87.2	55	260.74	235.74	180.94	89.06		
		98.5	60	246.60	246.60	193.92	76.08	0	-5
		93.2	65	241.35	241.35	206.49	63.51		
86.4	70	240.01	245.01	218.56	51.44				



Order CUCMSC150-10
CUCMSF150-20-SC40
CUCMSC150-30-SC30-WC