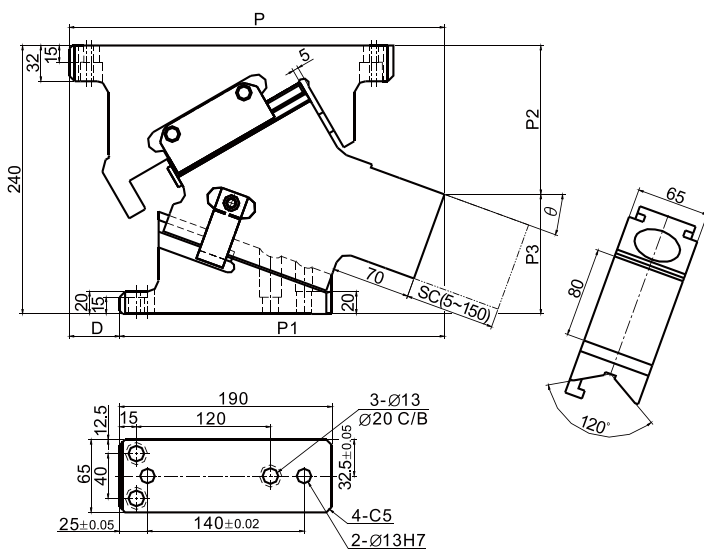
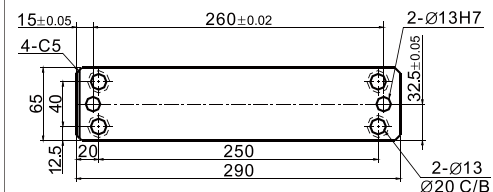


CSULNC 65



■ Working Face (Option)

Blank : Drawing Shape

SC : The mount surface is extended forward in the range of from 5 to 150 mm (At a increments of 5 mm)

N12 : Dowel pin hole of cam holder and cam driver ae changed to Ø12.

Catalog No.	Working Face (W)	Stroke (ST)	θ	P	P1	P2	P3	D
CSULNC	65	30.2	0	335.00	260.00	93.00	147.00	75.0
		31.9	5	338.62	268.62	99.49	140.51	70.0
		35.0	10	341.65	276.65	106.70	133.30	65.0
		31.4	15	339.01	284.01	114.58	125.41	55.0
		32.3	20	335.66	290.66	133.09	106.91	45.0
		35.0	25	331.55	296.55	142.14	97.86	35.0



Order CSULNC65-05
CULNC65-15-SC120-N12