

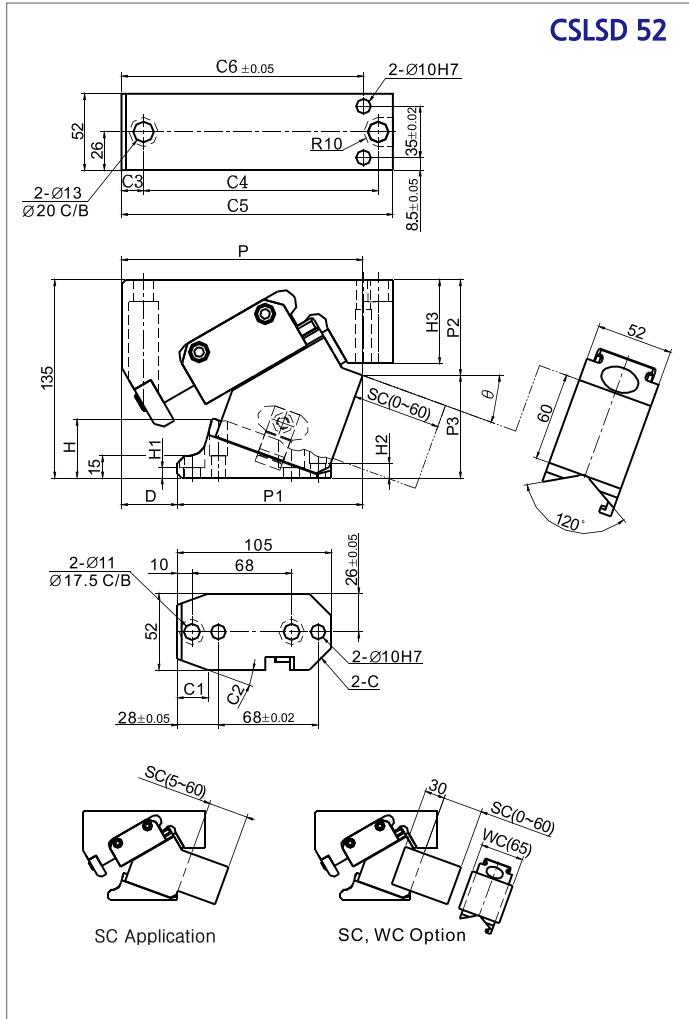


■ Working Face (Option)

Blank : As drawing

SC : The mount surface is extended forward in the range of from 10 to 60 mm
(At a increments of 10 mm)

WC : The mount width is changed to 65 mm.



Catalog No.	Working Face (W)	Stroke (ST)	θ	P	P1	P2	P3	D	H	H1	H2	H3	C	C1	C2	C3	C4	C5	C6		
CSLSD	52	30.2	0	161.00	105.00	53.00	82.00	56	21	7	15	49	5								
		31.9	5	162.10	111.10	55.21	79.79	51	26			50									
		35.0	10	162.55	116.55	57.38	77.17	46	31			52									
		38.2	15	164.32	121.32	60.82	74.18	43	36	10	54			15	160						
		41.5	20	164.38	126.38	65.10	69.90	38	40		57										10
		45.0	25	162.71	134.71	68.62	66.38	28	45	7	7	64	12								
		48.8	30	160.28	136.28	73.31	61.69	24	49			67									
		53.1	35	158.09	142.09	77.10	57.90	16	54			72									
		57.9	40	153.14	145.14	81.93	53.07	8	58	15	21	20					35	140			
		54.9	45	139.41	149.41	85.73	49.27	-10	63												74
		60.7	50	135.92	152.92	89.73	45.57	-17	68												78
												12			34			27	133	175	150



Order CSLSD52-15-SC30
CSLSD52-20-SC30-WC