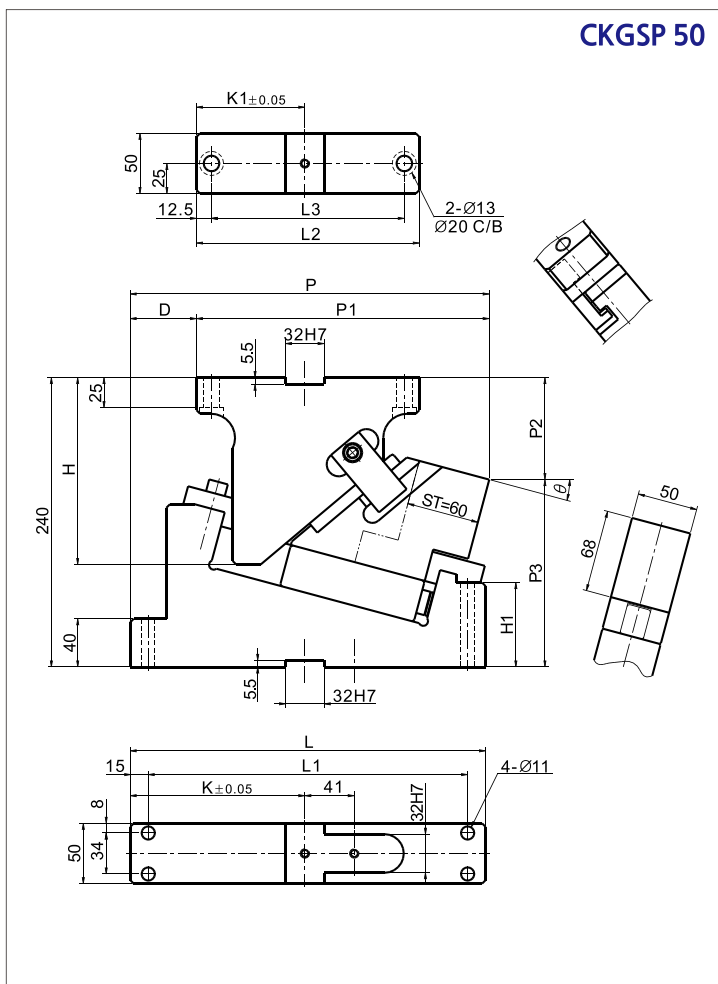


■ Mounting Method

K: Metric dedicated key is attached for both cam holder and driver.

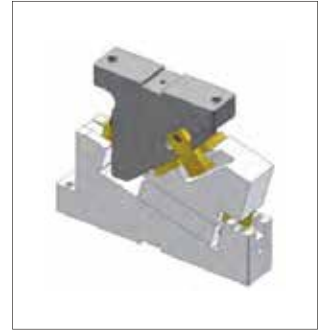
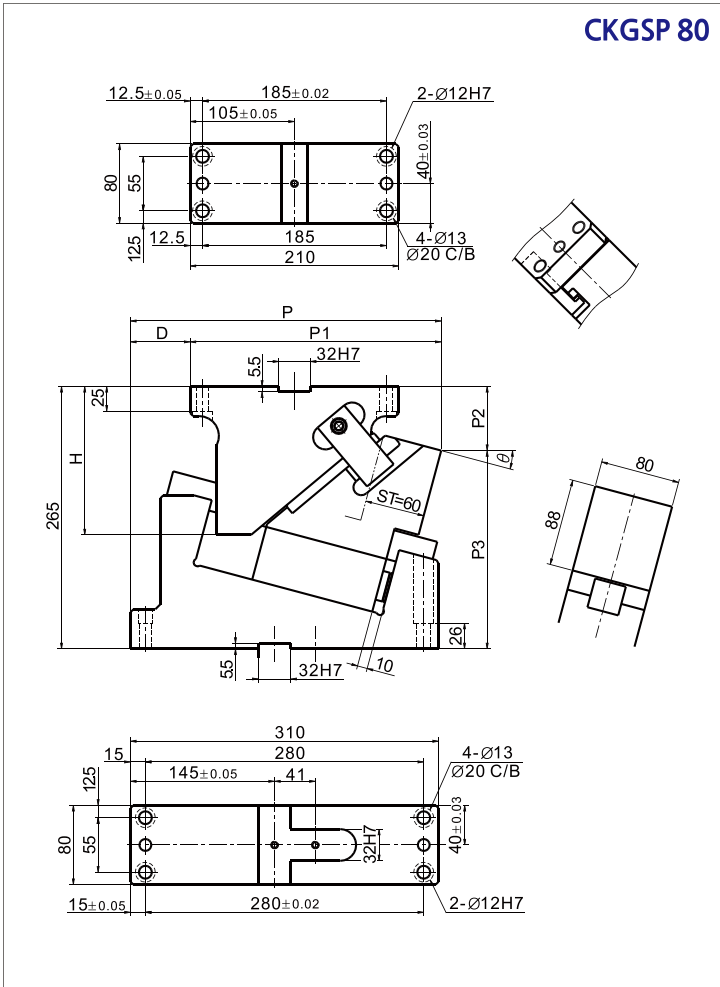


| Catalog No. | Working Face (W) | Stroke (ST) | θ | P | P1 | P2 | P3 | D | H | K | K1 | L | L1 | L2 | L3 | H1 |
|-------------|------------------|-------------|----|--------|--------|--------|-------|----|-----|-----|-----|-----|-----|-----|-----|----|
| CKGSP | 50 | 60 | 0 | 240.00 | 230.00 | 75.00 | 165.0 | 10 | 200 | 120 | 85 | 255 | 225 | 170 | 145 | 82 |
| | | | 5 | 281.25 | 236.25 | 77.24 | 162.8 | 45 | 185 | 145 | 90 | 295 | 265 | 185 | 160 | 65 |
| | | | 10 | 287.27 | 237.27 | 80.45 | 159.6 | 50 | 170 | | | | | | | |
| | | | 15 | 297.97 | 242.97 | 84.61 | 155.4 | 55 | 155 | 70 | 135 | 70 | 65 | 60 | | |
| | | | 20 | 308.26 | 238.26 | 89.68 | 150.3 | 70 | 145 | | | | | | | |
| | | | 25 | 308.07 | 238.07 | 95.63 | 144.4 | 70 | 135 | | | | | | | |
| | | | 30 | 312.32 | 232.32 | 102.42 | 137.6 | 80 | 120 | | | | | | | |



Order CKGSP50-05
CKGSP50-10-K

CKGSP 80



■ Mounting Method

K: Metric dedicated key is attached for both cam holder and daiver.

| Catalog No. | Working Face (W) | Stroke (ST) | θ | P | P1 | P2 | P3 | D | H |
|-------------|------------------|-------------|----------|--------|--------|-------|--------|----|-----|
| CKGSP | 80 | 60 | 0 | 285.00 | 235.00 | 55.00 | 210.00 | 50 | 200 |
| | | | 5 | 293.00 | 238.32 | 56.97 | 208.03 | 55 | 180 |
| | | | 10 | 303.17 | 248.17 | 60.26 | 204.74 | | 160 |
| | | | 15 | 312.60 | 252.60 | 64.85 | 200.15 | 60 | 150 |
| | | | 20 | 321.51 | 251.51 | 70.68 | 194.32 | 70 | 135 |
| | | | 25 | 329.78 | 249.78 | 77.74 | 187.26 | 80 | 125 |
| | | | 30 | 332.31 | 247.31 | 85.95 | 179.05 | 85 | 110 |

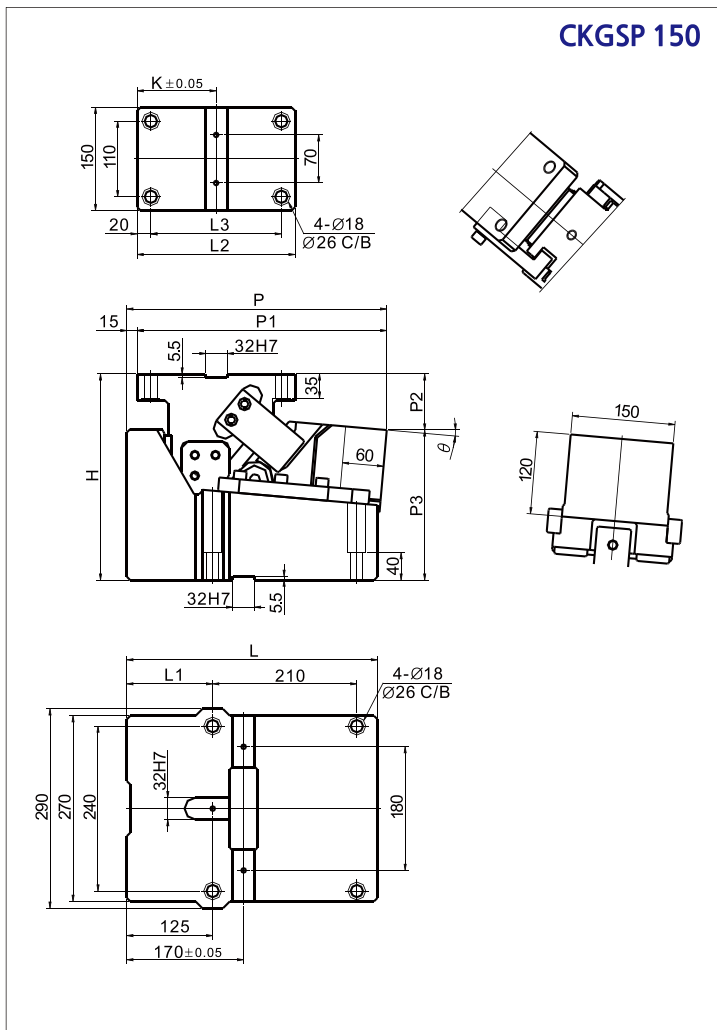


Order CKGSP80-05
CKGSP80-10-K



■ Mounting Method

K: Metric dedicated key is attached for both cam holder and daiver.



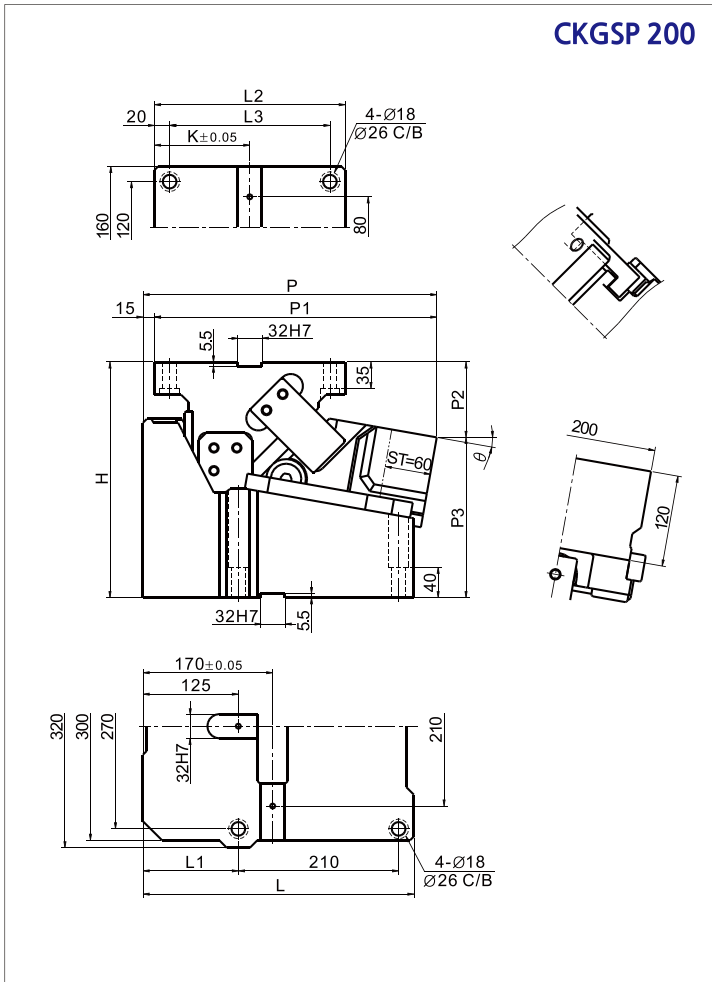
CKGSP 150

| Catalog No. | Working Face (W) | Stroke (ST) | θ | P | P1 | P2 | P3 | K | L | L1 | L2 | L3 | A | B | H |
|-------------|------------------|-------------|----|--------|--------|--------|--------|-----|-----|-----|-----|-----|-----|-----|-----|
| CKGSP | 150 | 60 | 0 | 365.00 | 365.00 | 70.00 | 230.00 | 115 | 355 | 115 | 230 | 190 | 190 | 255 | 300 |
| | | | 5 | 378.47 | 363.47 | 81.55 | 318.45 | 120 | 365 | 125 | 240 | 200 | 200 | | |
| | | | 10 | 385.01 | 370.01 | 99.18 | 210.82 | 125 | 355 | 120 | 250 | 210 | 210 | 250 | 310 |
| | | | 15 | 394.53 | 379.53 | 107.74 | 202.26 | | 350 | 120 | 265 | 225 | 225 | | |
| | | | 20 | 396.96 | 381.96 | 137.04 | 197.96 | 135 | 345 | 115 | 270 | 230 | 230 | | |
| | | | 25 | 397.25 | 382.25 | 158.89 | 188.11 | 140 | 340 | 110 | 285 | 245 | 245 | 250 | 345 |
| | | | 30 | 400.35 | 385.35 | 182.11 | 177.89 | 145 | 335 | 105 | 295 | 255 | 255 | 249 | 360 |



Order CKGSP150-10
CKGSP150-20-K

CKGSP 200



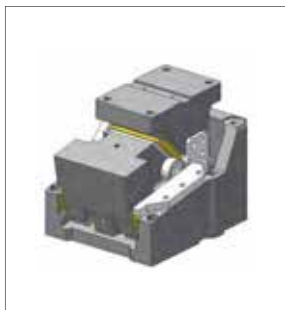
■ Mounting Method

K: Metric dedicated key is attached for both cam holder and daiver.

| Catalog No. | Working Face (W) | Stroke (ST) | θ | P | P1 | P2 | P3 | K | L | L1 | L2 | L3 | A | B | H |
|-------------|------------------|-------------|----------|--------|--------|--------|--------|-----|-----|-----|-----|-----|-----|-----|-----|
| CKGSP | 200 | 60 | 0 | 365.00 | 365.00 | 70.00 | 230.00 | 115 | 355 | 115 | 230 | 190 | 190 | 88 | 300 |
| | | | 5 | 378.47 | 363.47 | 81.55 | 318.45 | 120 | 365 | 125 | 240 | 200 | 200 | 98 | |
| | | | 10 | 385.01 | 370.01 | 99.18 | 210.82 | 125 | 355 | 120 | 250 | 210 | 210 | 93 | 310 |
| | | | 15 | 394.53 | 379.53 | 107.74 | 202.26 | 135 | 350 | 115 | 265 | 225 | 225 | 93 | |
| | | | 20 | 396.96 | 381.96 | 137.04 | 197.96 | 140 | 345 | 110 | 270 | 230 | 230 | 88 | |
| | | | 25 | 397.25 | 382.25 | 158.89 | 188.11 | 140 | 340 | 110 | 285 | 245 | 245 | 83 | 345 |
| | | | 30 | 400.35 | 385.35 | 182.11 | 177.89 | 145 | 335 | 105 | 295 | 255 | 255 | 132 | 360 |

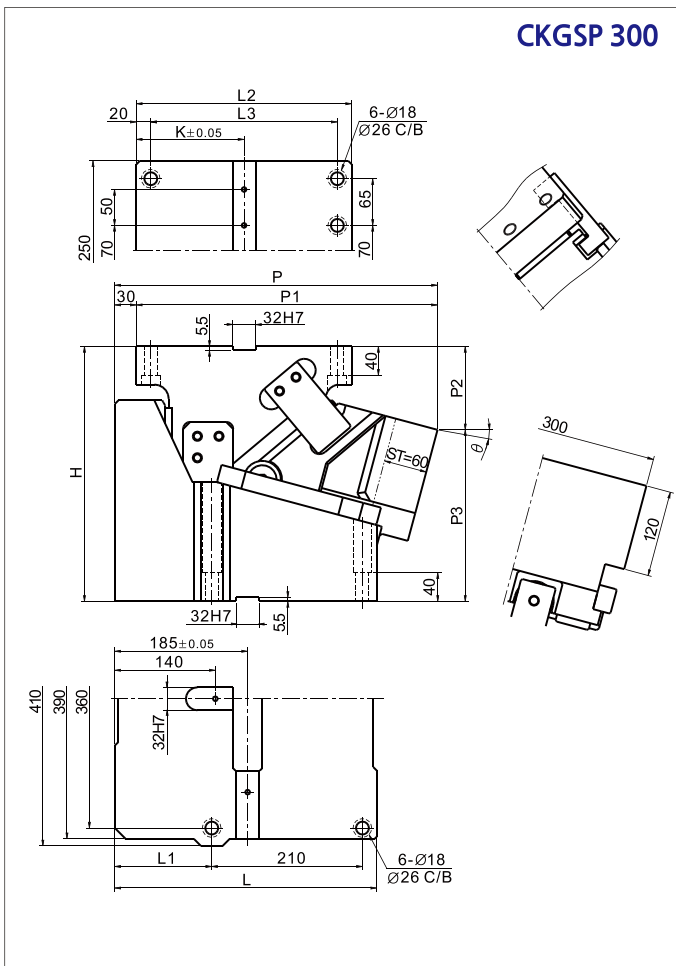


Order CKGSP200-00
CKGSP200-20-K



■ Mounting Method

K: Metric dedicated key is attached for both cam holder and driver.



| Catalog No. | Working Face (W) | Stroke (ST) | θ | P | P1 | P2 | P3 | K | L | L1 | L2 | L3 | A | B | H | |
|-------------|------------------|-------------|----|--------|--------|--------|--------|-----|-----|-----|-----|-----|-----|-----|-----|-----|
| CKGSP | 300 | 60 | 0 | 420.00 | 390.00 | 70.00 | 265.00 | 135 | 380 | 145 | 270 | 230 | 230 | 115 | 335 | |
| | | | 5 | 431.84 | 401.84 | 74.31 | 260.69 | 140 | 375 | | | 280 | 240 | 240 | | 119 |
| | | | 10 | 442.57 | 412.57 | 107.83 | 247.17 | 145 | 370 | 140 | 290 | 250 | 250 | 114 | | 355 |
| | | | 15 | 449.63 | 419.63 | 116.09 | 238.91 | 150 | 365 | 135 | 300 | 260 | 260 | 109 | | |
| | | | 20 | 454.17 | 424.17 | 145.29 | 229.71 | 155 | 360 | 130 | 310 | 270 | 270 | 104 | 375 | |
| | | | 25 | 461.14 | 431.14 | 170.21 | 214.79 | 165 | 355 | 125 | 330 | 290 | 290 | 99 | 385 | |
| | | | 30 | 465.47 | 435.47 | 200.63 | 204.37 | 175 | 350 | 120 | 350 | 310 | 310 | 148 | 405 | |



Order CKGSP300-10
CKGSP300-20-K