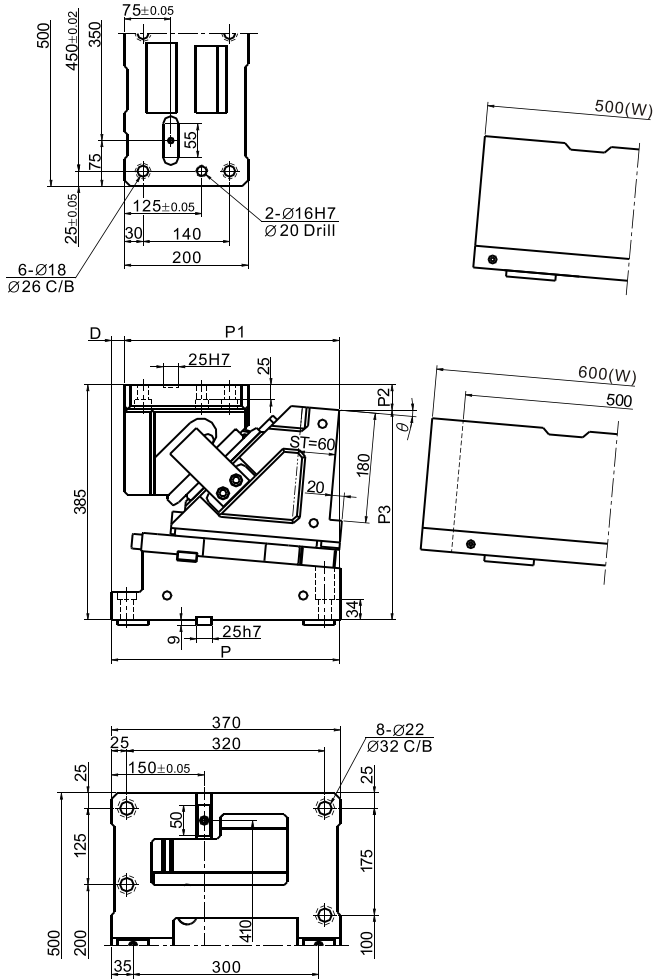


## CKCMSL 500,600



### Return Spring

GD : L750.063.140 (DADCO)  
Blank : Gas spring exception

Catalog No.	Working Face (W)	Stroke	θ	P	P1	P2	P3	D
CKCMSL	500 600	60.0	0	350.00	344.00	25.00	360.00	6
			5	368.00	347.20	41.73	343.27	21
			10	384.93	348.93	56.68	326.32	36
			15	400.17	349.17	75.71	309.29	51
			20	413.93	347.93	92.70	292.30	66



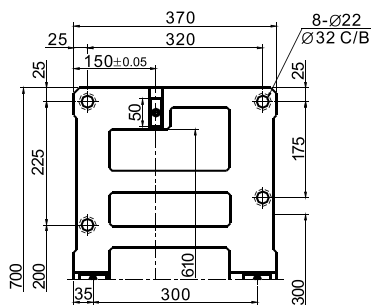
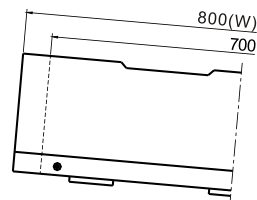
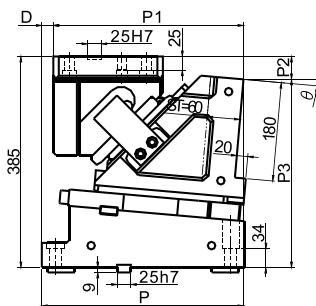
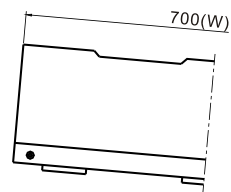
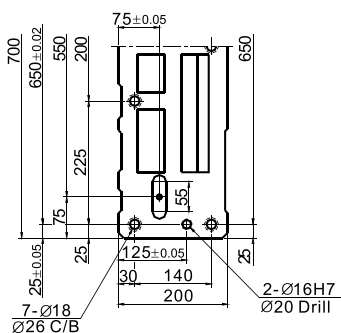
Order CKCMSL500-20  
CKCMSL600-30-GD



**Return Spring**

GD : L750.063.140 (DADCO)  
Blank : Gas spring exception

## CKCMSL 700,800

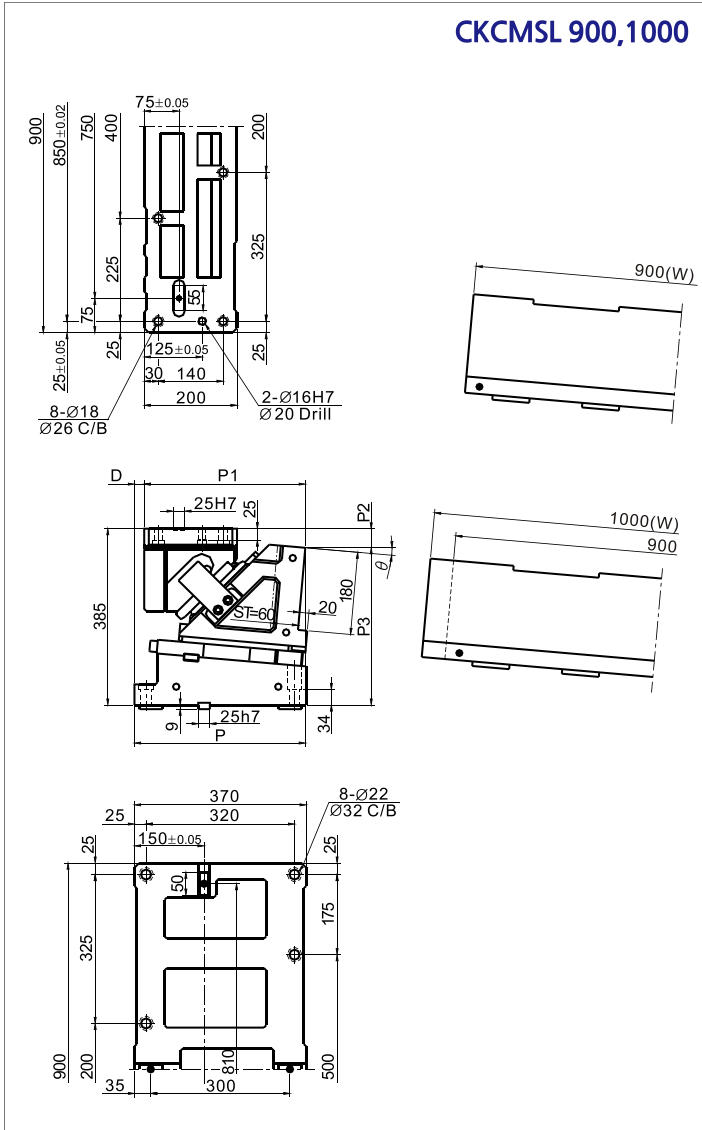


Catalog No.	Working Face (W)	Stroke	$\theta$	P	P1	P2	P3	D
CKCMSL	700 800	60.0	0	350.00	344.00	25.00	360.00	6
			5	368.00	347.20	41.73	343.27	21
			10	384.93	348.93	56.68	326.32	36
			15	400.17	349.17	75.71	309.29	51
			20	413.93	347.93	92.70	292.30	66



Order CKCMSL700-10  
CKCMSL800-20-GD

## CKCMSL 900,1000



### Return Spring

GD : L750.063.140 (DADCO)  
Blank : Gas spring exception

Catalog No.	Working Face (W)	Stroke	$\theta$	P	P1	P2	P3	D
CKCMSL	900 1000	60.0	0	350.00	344.00	25.00	360.00	6
			5	368.00	347.20	41.73	343.27	21
			10	384.93	348.93	56.68	326.32	36
			15	400.17	349.17	75.71	309.29	51
			20	413.93	347.93	92.70	292.30	66



Order CKCMSL900-5  
CKCMSL1000-10-GD