



CICG 50 (N)

■ **Mounting Method**

N : Pin mounting

■ **Working Face (Option)**

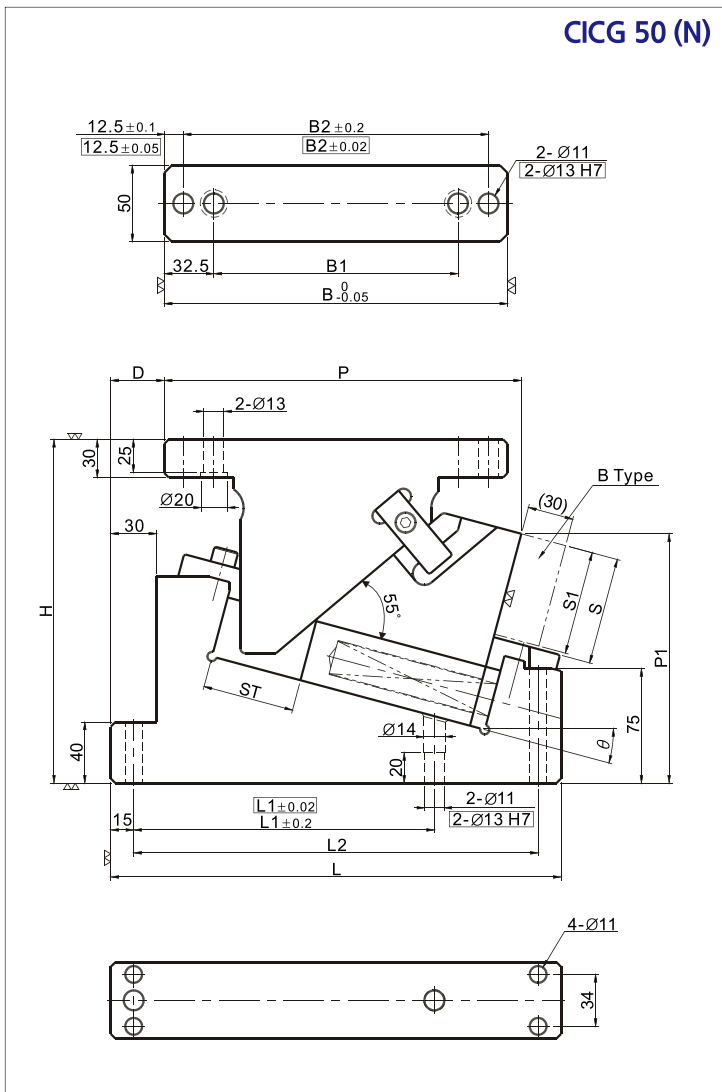
Blank : Drawing shape

B : 30 mm extension

■ **Pin Hole**

Blank : Drawing shape

A : Dimension & Tolerance

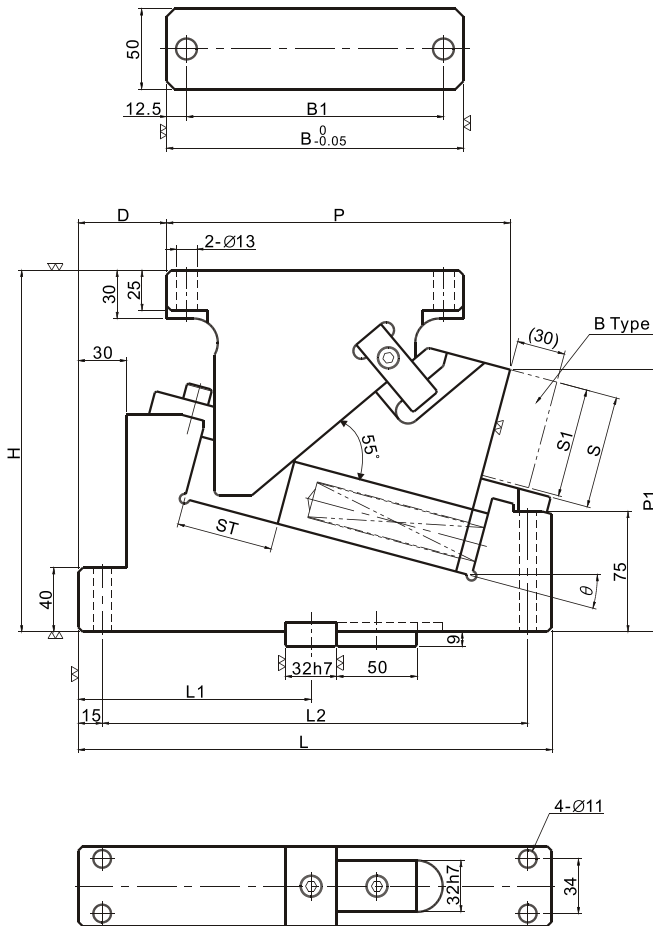


Catalog No.	Working Face Width	Stroke	θ	P	P1	L	H	B	L1	L2	B1	B2	D	S	S1
CICG	50	30	15	200.1	148.7	265	210	195	167	235	130	170	35	55	53
		60	5	226.4	165.4	290	220	220	197	260	155	195	25	70	68
		60	15	234.0	163.2	295	225	225	197	265	160	200	35	70	68



Order CICG50-30-15-N-A
CICG50-60-15-B-N

CICG 50 (K)



■ **Mounting Method**
K : Key mounting

■ **Working Face (Option)**
Blank : Drawing shape
B : 30 mm extension

Catalog No.	Working Face Width	Stroke	θ	P	P1	L	H	B	L1	L2	B1	D	S	S1
CICG	50	30	15	180.1	148.7	265	210	155	115	235	130	55	55	53
		60	5	206.4	165.4	290	220	180	145	260	155	45	70	68
		60	15	214.0	163.2	295	225	185	145	265	160	55	70	68



Order CICG50-60-5-K
CICG50-30-15-B-K